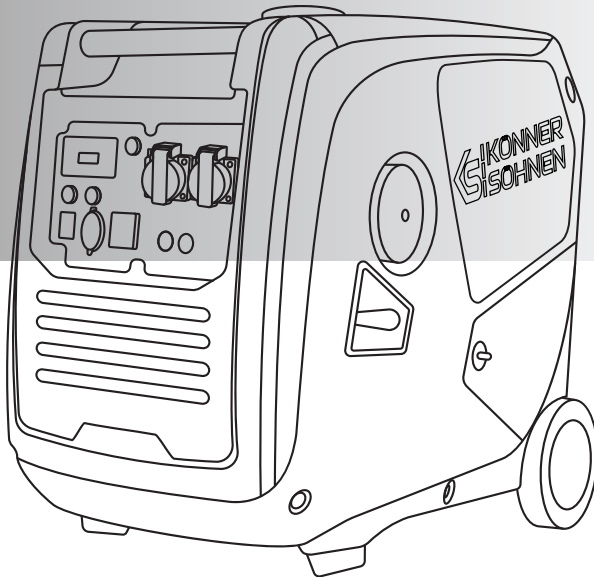


INVERTER GENERATOR EXPLODED VIEW

KS 4000iE S, KS 4000iE S ATS,
KS 4000iEG S



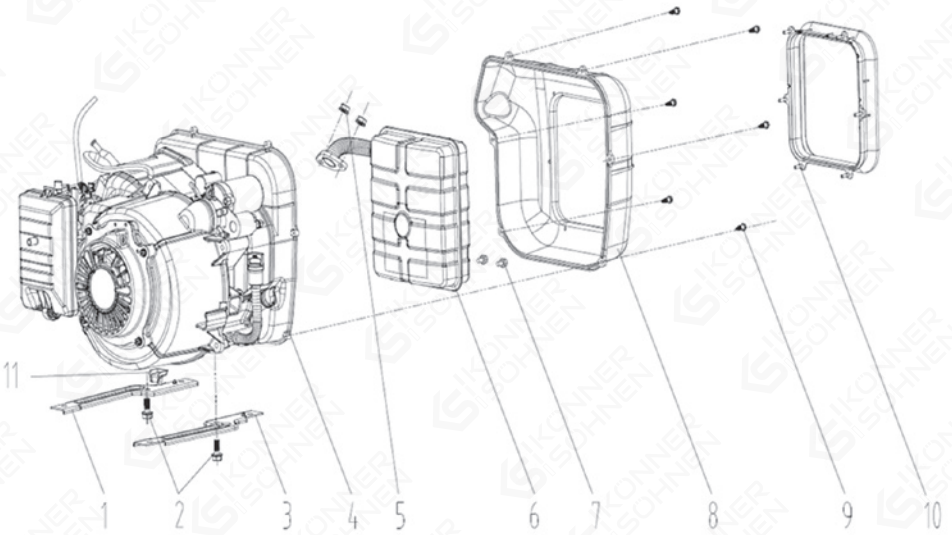
TRADITIONELLE DEUTSCHE QUALITÄT

CONTENTS

1. Engine	2
2. Frameassy	4
3. Rack part.....	6
4. Oiltankassy.....	7
5. Ornamentshell.....	8
6. Batteryassy.....	11
7. Tools	12
8. Cylinder head.....	13
9. Crank case.....	15
10. Crank case cover.....	17
11. Crankshaft/piston.....	18
12. Gas distribution adjustment.....	20
13. Starter subassembly and flywheel.....	21
14. Muffler.....	22
15. Carburetor.....	23
16. Aircleaner.....	24
17. Parts of LPG GEARBOX.....	25
18. Electric scheme (for model KS 4000iE S).....	26
19. Electric scheme (for model KS 4000iE SATS).....	27
20. Electric scheme (for model KS 4000iE G S).....	28

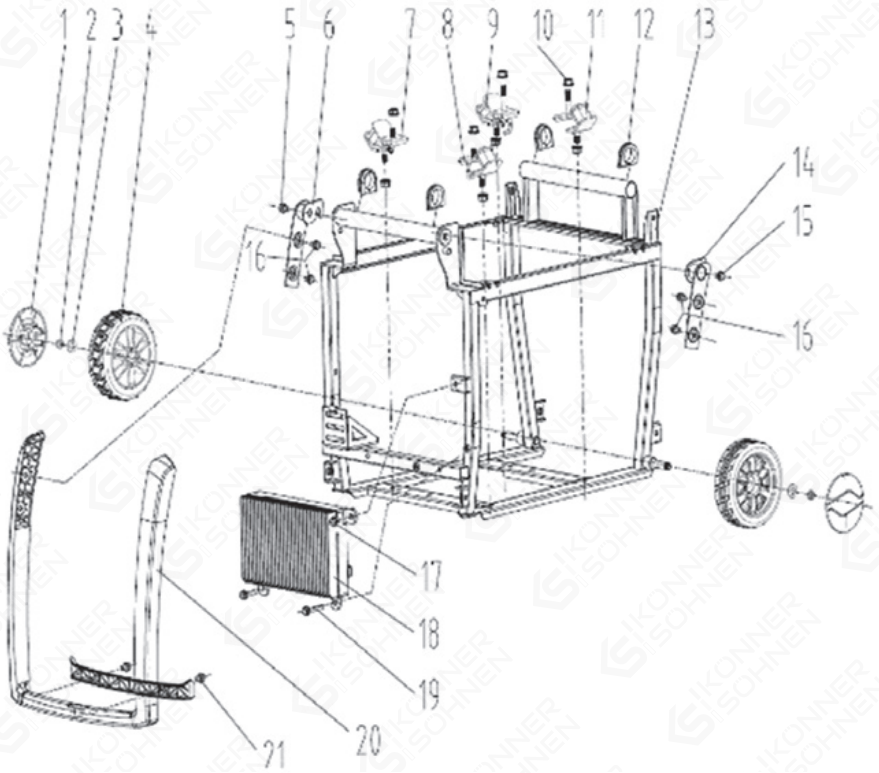
! This material is for informational purposes only and is not an instruction. The connection of the equipment in each case must be performed by a certified electrician, in accordance with local laws and regulations. Before connecting, we urge you to read the recommendations in the manual for the generator. The manufacturer is not responsible for improper connection of equipment, and is not responsible for possible material and physical damage that may occur as a result of improper installation, connection or operation of equipment.

1. ENGINE



No	REF. No	DESCRIPTION	QTY
1	KS 4000iE S-1-1	Fixing holder,Engine	1
2	KS 4000iE S-1-2	Hexagonal flange bolt	2
3	KS 4000iE S-1-3	Fixing holder, Engine	1
4	KS 4000iE S-1-4	Engine assy.	1
5	KS 4000iE S-1-5	Hexagonal nut	2
6	KS 4000iE S-1-6	Muffler assy.	1
7	KS 4000iE S-1-7	Hexagonal flange bolt	2
8	KS 4000iE S-1-8	Muffler tail cover	1
9	KS 4000iE S-1-9	Cross recessed pan head self threading screw	6
10	KS 4000iE S-1-10	Air guide sleeve, Muffler	1
11	KS 4000iE S-1-11	Baffler	1

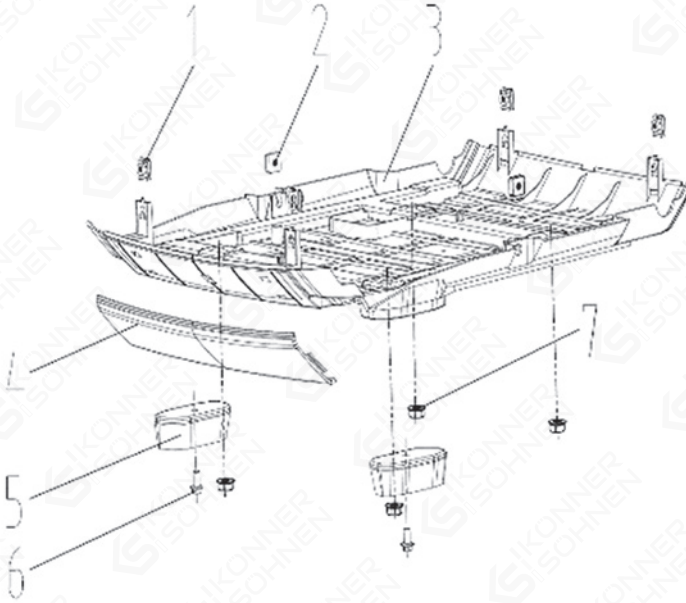
2. FRAME ASSY



No	REF. No	DESCRIPTION	QTY
1	KS 4000iE S-2-1	Ornament shell	2
2	KS 4000iE S-2-2	Steel Hexagonal lock nut	2
3	KS 4000iE S-2-3	Gasket-grade C	2
4	KS 4000iE S-2-4	Wheel assy	2
5	KS 4000iE S-2-5	Hexagonalal step bolt	1

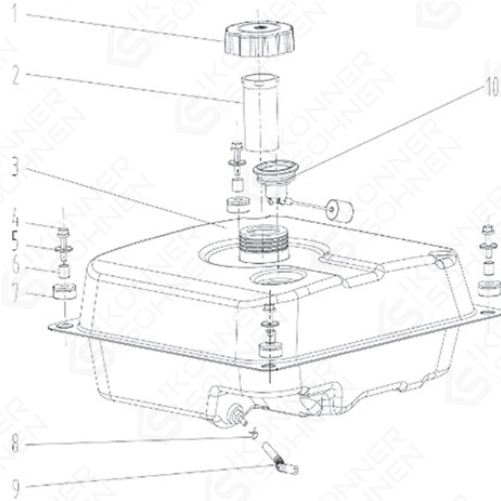
No	REF. No	DESCRIPTION	QTY
6	KS 4000iE S-2-6	Handle hose connecter	1
7	KS 4000iE S-2-7	Left shock pad assy.	1
8	KS 4000iE S-2-8	Right shock pad assy.	1
9	KS 4000iE S-2-9	Left shock pad assy.	1
10	KS 4000iE S-2-10	Hexagonal flange nut	4
11	KS 4000iE S-2-11	Right shock pad assy.	1
12	KS 4000iE S-2-12	Ornament rubber sleeve	1
13	KS 4000iE S-2-13	Frame assy	1
14	KS 4000iE S-2-14	Handle hose connecter	1
15	KS 4000iE S-2-15	Hexagonal step bolt	2
16	KS 4000iE S-2-16	Hexagonal flange bolt	1
17	KS 4000iE S-2-17	Hexagonal flange bolt	1
18	KS 4000iE S-2-18	Inverter assy.	1
19	KS 4000iE S-2-19	Hexagonal flange bolt	2
20	KS 4000iE S-2-20	Handle pipe assy.	1
21	KS 4000iE S-2-21	Ornament shell	1

3. RACK PART



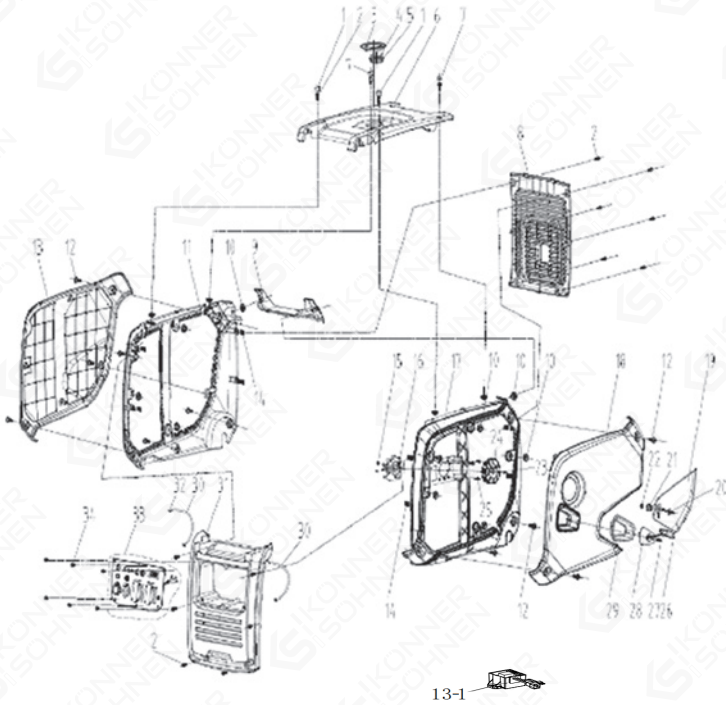
No	REF. No	DESCRIPTION	QTY
1	KS 4000iE S-3-1	Nut	1
2	KS 4000iE S-3-2	Square nut	1
3	KS 4000iE S-3-3	Baseplate assy.	1
4	KS 4000iE S-3-4	Ornament shell	1
5	KS 4000iE S-3-5	Shock seat assy., Frame	1
6	KS 4000iE S-3-6	Hexagonal flange bolt	1
7	KS 4000iE S-3-7	Hexagonal flange nut	1

4. OIL TANK ASSY



No	REF. No	DESCRIPTION	QTY
1	KS 4000iE S-4-1	Oil cap assy	1
2	KS 4000iE S-4-2	Oil filter assy	1
3	KS 4000iE S-4-3	Oil tank assy	1
4	KS 4000iE S-4-4	Hexagonal flange bolt	4
5	KS 4000iE S-4-5	Gasket, Oil tank	4
6	KS 4000iE S-4-6	Bushing	4
7	KS 4000iE S-4-7	Shock rubber pad, Oil tank	4
8	KS 4000iE S-4-8	Clamp	1
9	KS 4000iE S-4-9	Oil pipe	1
10	KS 4000iE S-4-10	Oil leveler assy	1

5. ORNAMENT SHELL

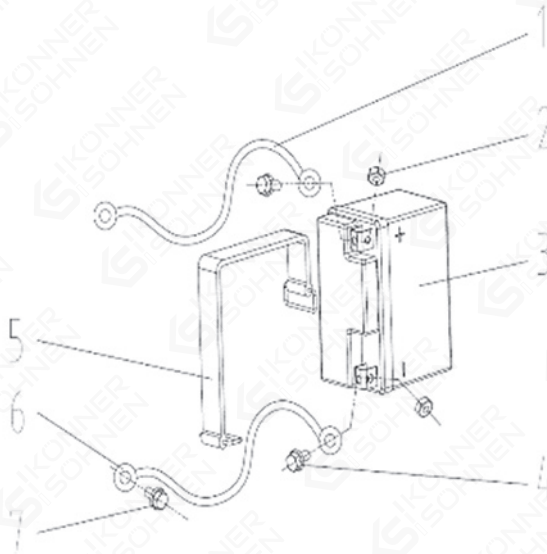


No	REF. No	DESCRIPTION	QTY
1	KS 4000iE S-5-1	Ornament rubber sleeve	2
2	KS 4000iE S-5-2	Hexagonal step bolt	16
3	KS 4000iE S-5-3	Oil inlet rubber sleeve	1
4	KS 4000iE S-5-4	Oil window	1
5	KS 4000iE S-5-5	Rubber pad, Oil window	1

No	REF. No	DESCRIPTION	QTY
6	KS 4000iE S-5-6	Cover assy.	1
7	KS 4000iE S-5-7	Ornament rubber sleeve	2
8	KS 4000iE S-5-8	Muffler tail cover	1
9	KS 4000iE S-5-9	Ornament shell	1
10	KS 4000iE S-5-10	Fixing rubber sleeve	9
11	KS 4000iE S-5-11	Left cover assy.	1
12	KS 4000iE S-5-12	Hexagonalal step bolt	9
13	KS 4000iE S-5-13	Left outer cover	1
13-1	KS 4000iE S-5-13-1	Voltage regulating rectifier combination	1
14	KS 4000iE S-5-14	Nut	12
15	KS 4000iE S-5-15	Clamp	2
16	KS 4000iE S-5-16	Start switch assy.	1
17	KS 4000iE S-5-17	Right cover assy.	1
18	KS 4000iE S-5-18	Right cover	1
19	KS 4000iE S-5-19	Maintenance cover	1

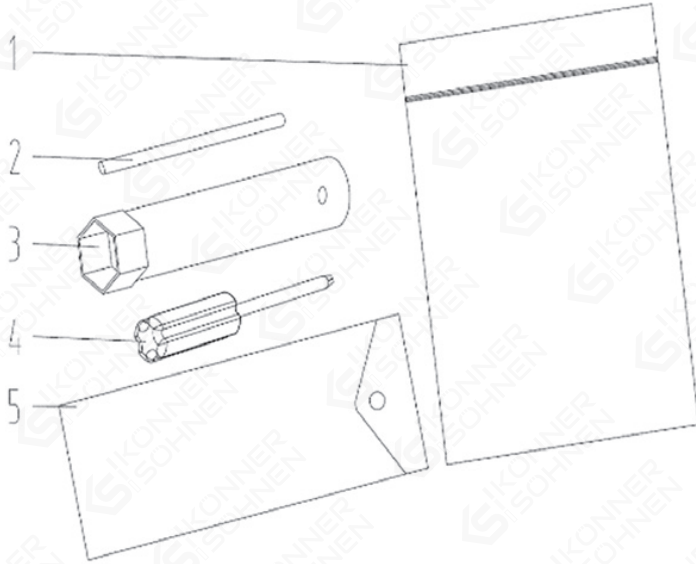
No	REF. No	DESCRIPTION	QTY
20	KS 4000iE S-5-20	Knob assy	1
21	KS 4000iE S-5-21	Stop piece assy	1
22	KS 4000iE S-5-22	Steel Hexagonal lock nut	1
23	KS 4000iE S-5-23	Cross recessed pan head screw	1
24	KS 4000iE S-5-24	Knob assy	1
25	KS 4000iE S-5-25	Cross recessed countersunk head tapping screw	3
26	KS 4000iE S-5-26	Recoil handle	1
27	KS 4000iE S-5-27	Cross recessed pan head screw	1
28	KS 4000iE S-5-28	Stop piece assy	1
29	KS 4000iE S-5-29	Handle ornament shell	1
30	KS 4000iE S-5-30	Oil pipe	2
31	KS 4000iE S-5-31	Panel seat assy	1
32	KS 4000iE S-5-32	Clamp,Oil pipe	4
33	KS 4000iE S-5-33	Control panel assy	1
34	KS 4000iE S-5-34	Cross recessed pan head screw	6

6. BATTERY ASSY



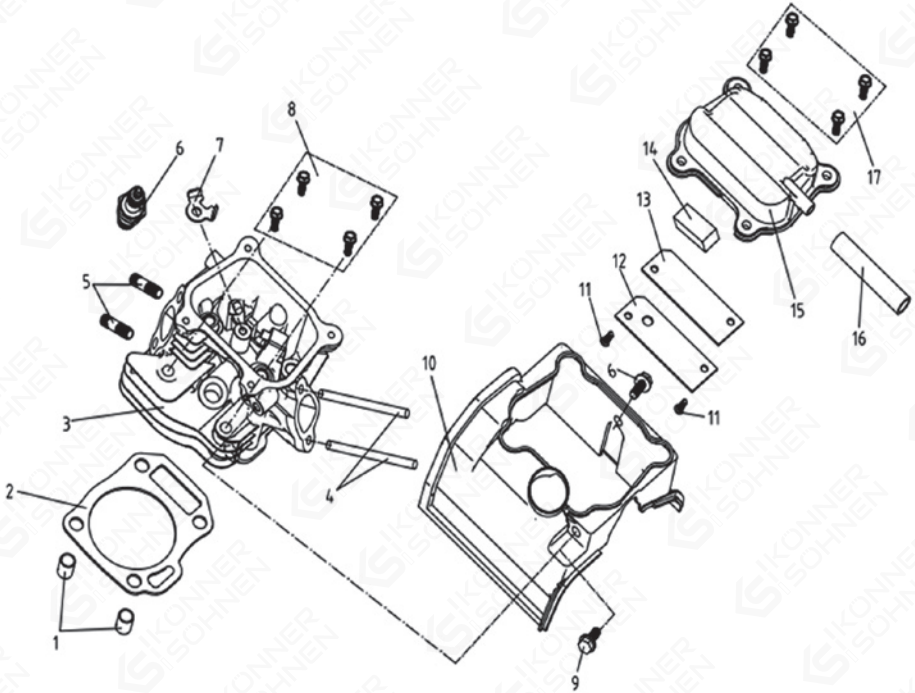
No	REF. No	DESCRIPTION	QTY
1	KS 4000iE S-6-1	Positive wire assy	1
2	KS 4000iE S-6-2	Hexagonal flange nut	2
3	KS 4000iE S-6-3	Battery assy	1
4	KS 4000iE S-6-4	Hexagonal bolt	2
5	KS 4000iE S-6-5	Battery band	1
6	KS 4000iE S-6-6	Negative wire assy	1
7	KS 4000iE S-6-7	Hexagonal flange bolt	1

7. TOOLS



No	REF. No	DESCRIPTION	QTY
1	KS 4000iE S-7-1	Plastic bag	1
2	KS 4000iE S-7-2	Extension bar	1
3	KS 4000iE S-7-3	Sleeve	1
4	KS 4000iE S-7-4	Screwdriver	1
5	KS 4000iE S-7-5	Tool bag	1

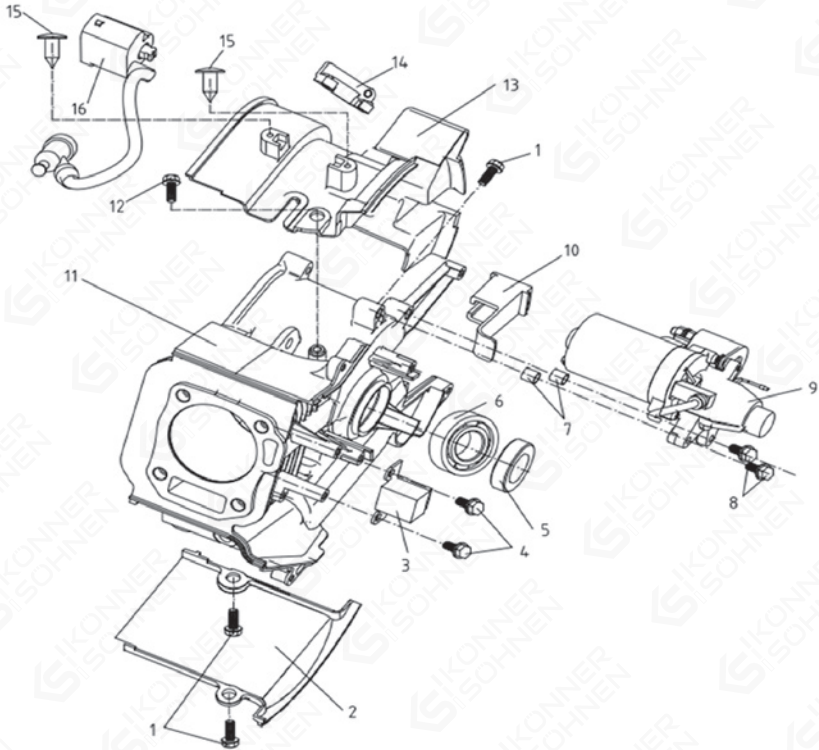
8. CYLINDER HEAD



No	REF. No	DESCRIPTION	QTY
1	KS 4000iE S-8-1	Pin , Dowel	2
2	KS 4000iE S-8-2	Cylinder Head Sealing Pad Combination	1

No	REF. No	DESCRIPTION	QTY
3	KS 4000iE S-8-3	Cylinder Head Combination	1
4	KS 4000iE S-8-4	Air Intake Double-headed Bolts	2
5	KS 4000iE S-8-5	Exhaust Double Headed Bolt	2
6	KS 4000iE S-8-6	Plug, Spark	1
7	KS 4000iE S-8-7	Rocker Shaft Baffle	1
8	KS 4000iE S-8-8	Bolt, Cylinder Head	4
9	KS 4000iE S-8-9	Bolt, Flange, 6×16	2
10	KS 4000iE S-8-10	Cylinder Head Cowl	1
11	KS 4000iE S-8-11	Bolt, Flange	2
12	KS 4000iE S-8-12	Breath Cover Plate	1
13	KS 4000iE S-8-13	Air Groove Cover Plate Gasket	1
14	KS 4000iE S-8-14	The Oil Filter	1
15	KS 4000iE S-8-15	Cover Comp Head	1
16	KS 4000iE S-8-16	Waste Trachea	1
17	KS 4000iE S-8-17	Bolt, Flange , 6×20	4

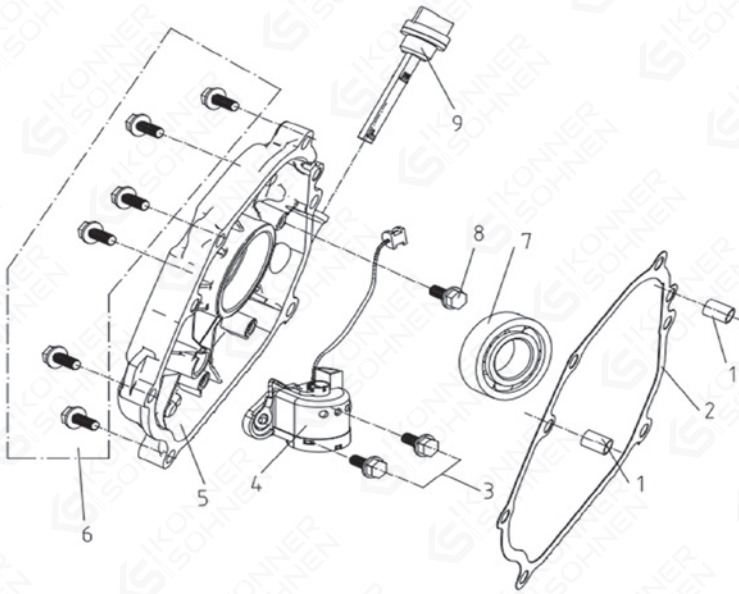
9. CRANK CASE



No	REF. No	DESCRIPTION	QTY
1	KS 4000iE S-9-1	Bolt , Flange , 6x10	3
2	KS 4000iE S-9-2	Air Deflector, Box	1
3	KS 4000iE S-9-3	Trigger Combination	1

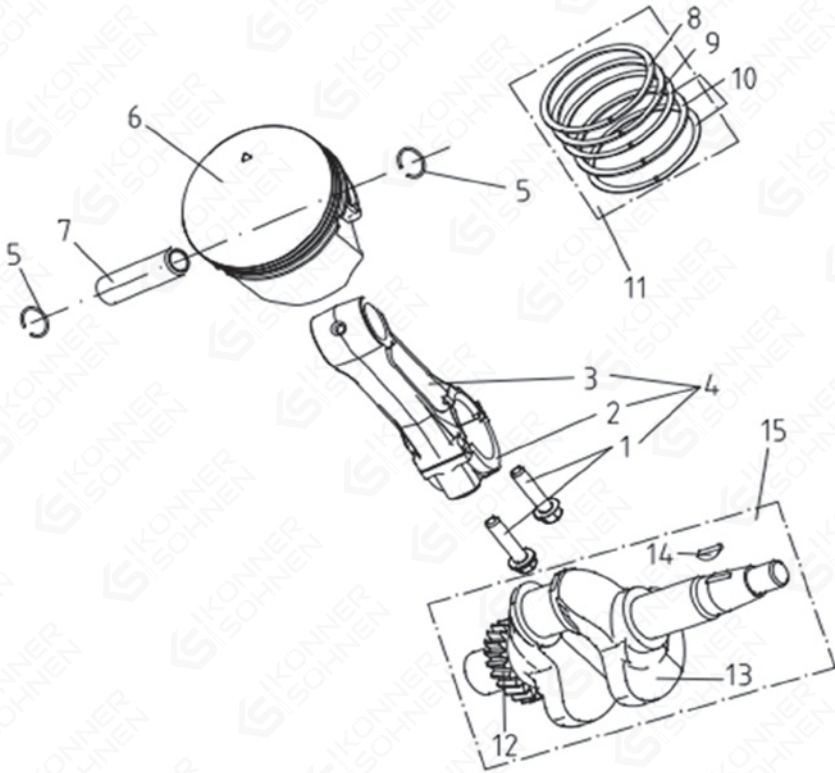
No	REF. No	DESCRIPTION	QTY
4	KS 4000iE S-9-4	Bolt, Flange , 6×12	2
5	KS 4000iE S-9-5	Oil Seal	1
6	KS 4000iE S-9-6	Bearing, Radlal Ball	1
7	KS 4000iE S-9-7	Pin, Dowel	2
8	KS 4000iE S-9-8	Bolt, Flange , 6×25	2
9	KS 4000iE S-9-9	Starter Motor	1
10	KS 4000iE S-9-10	Motor Outlet Baffle	1
11	KS 4000iE S-9-11	Crankshaft Box Body Combination	1
12	KS 4000iE S-9-12	Bolt, Flange, 6×10	1
13	KS 4000iE S-9-13	Air Deflector, Box	1
14	KS 4000iE S-9-14	Installation Bracket For Igniter	1
15	KS 4000iE S-9-15	Tapping Screw	2
16	KS 4000iE S-9-16	Firewire Ring Parts	1

10. CRANK CASE COVER



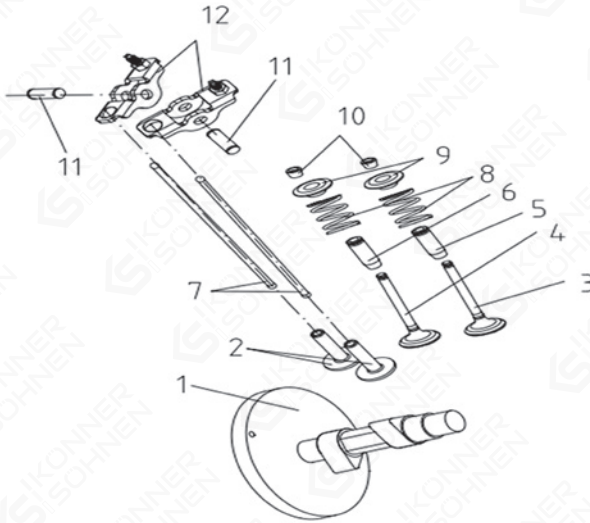
No	REF. No	DESCRIPTION	QTY
1	KS 4000iE S-10-1	Pin, Dowel	2
2	KS 4000iE S-10-2	Crankcase Sealing Pad	1
3	KS 4000iE S-10-3	Bolt, Flange, 6x16	2
4	KS 4000iE S-10-4	Oil Sensor	1
5	KS 4000iE S-10-5	Crankcase Cover	1
6	KS 4000iE S-10-6	Bolt, Flange, 8x32	6
7	KS 4000iE S-10-7	Bearing , Radlal Ball	1
8	KS 4000iE S-10-8	Bolt, Flange, 6x10	1
9	KS 4000iE S-10-9	Oil Ruler Combination	1

11. CRANKSHAFT/PISTON



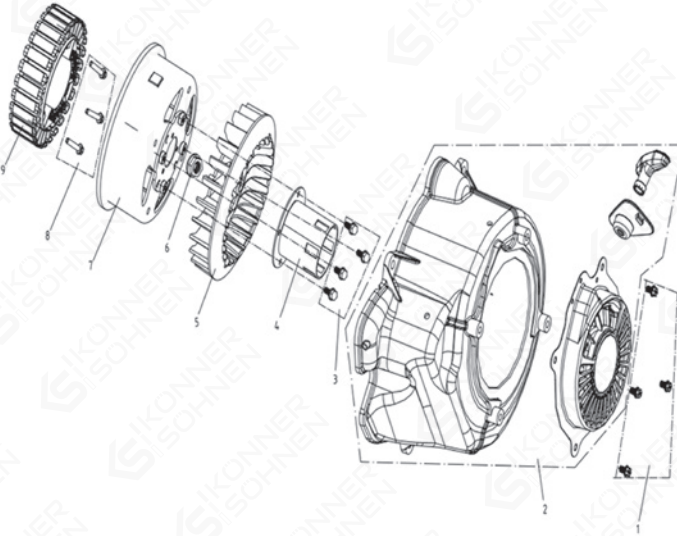
No	REF. No	DESCRIPTION	QTY
1	KS 4000iE S-11-1	Connecting Rod Bolt	2
2	KS 4000iE S-11-2	Cap Conrod	1
3	KS 4000iE S-11-3	Rod, Connecting	1
4	KS 4000iE S-11-4	Connecting Rod	1
5	KS 4000iE S-11-5	Clip Piston Pin	2
6	KS 4000iE S-11-6	Piston	1
7	KS 4000iE S-11-7	Pin Wrist	1
8	KS 4000iE S-11-8	Ring Top	1
9	KS 4000iE S-11-9	Ring Compression	1
10	KS 4000iE S-11-10	Ring Assy, Oil	1
11	KS 4000iE S-11-11	Piston Ring	1
12	KS 4000iE S-11-12	Gear, Timing	1
13	KS 4000iE S-11-13	Crankshaft	1
14	KS 4000iE S-11-14	Key	1
15	KS 4000iE S-11-15	Crankshaft Combination	1

12. GAS DISTRIBUTION ADJUSTMENT



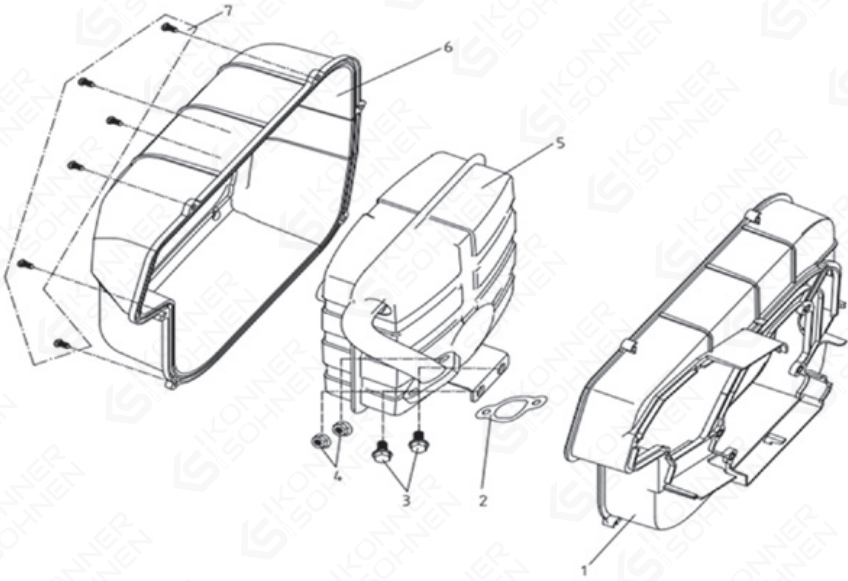
No	REF. No	DESCRIPTION	QTY
1	KS 4000iE S-12-1	Camshaft Assy	1
2	KS 4000iE S-12-2	Tappet, Valve	2
3	KS 4000iE S-12-3	Exhaust Valve	1
4	KS 4000iE S-12-4	Valve Intake	1
5	KS 4000iE S-12-5	Intake Valve Guide	1
6	KS 4000iE S-12-6	Exhaust Duct	1
7	KS 4000iE S-12-7	Push Rod	2
8	KS 4000iE S-12-8	Valve Spring	2
9	KS 4000iE S-12-9	Seat Valve	2
10	KS 4000iE S-12-10	Valve Key	4
11	KS 4000iE S-12-11	Valve Rocker Arm Shaft	2
12	KS 4000iE S-12-12	Rocker Arm, Assy	2

13. STARTER SUBASSEMBLY AND FLYWHEEL



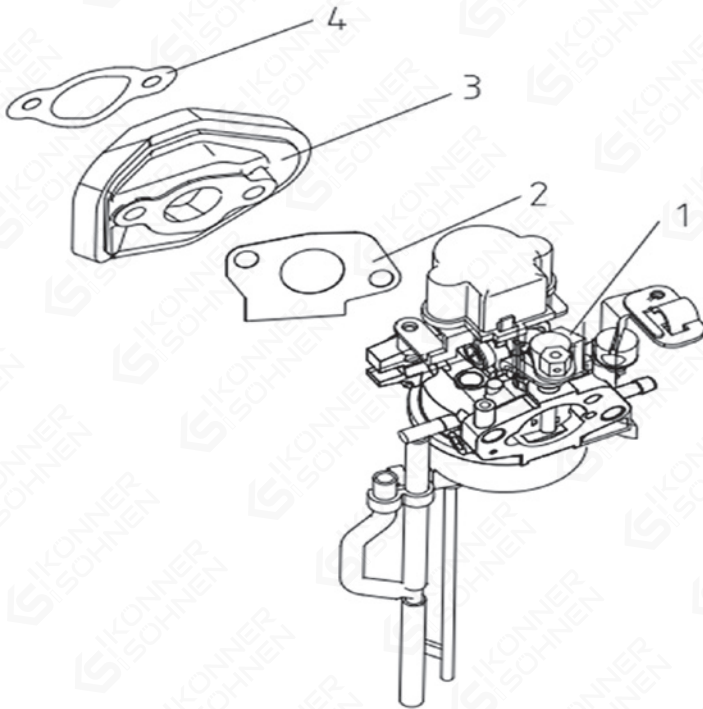
No	REF. No	DESCRIPTION	QTY
1	KS 4000iE S-13-1	Bolt, Flange 6x14	4
2	KS 4000iE S-13-2	Manual Starting Pull Plate Assembly	1
3	KS 4000iE S-13-3	Bolt, Flange 6x16	4
4	KS 4000iE S-13-4	Start Cup	1
5	KS 4000iE S-13-5	Vane wheel	1
6	KS 4000iE S-13-6	Nut, Flywheel	1
7	KS 4000iE S-13-7	Motor Rotor	1
8	KS 4000iE S-13-8	Bolt, Cylinder Head	3
9	KS 4000iE S-13-9	Motor Stator	1

14. MUFFLER



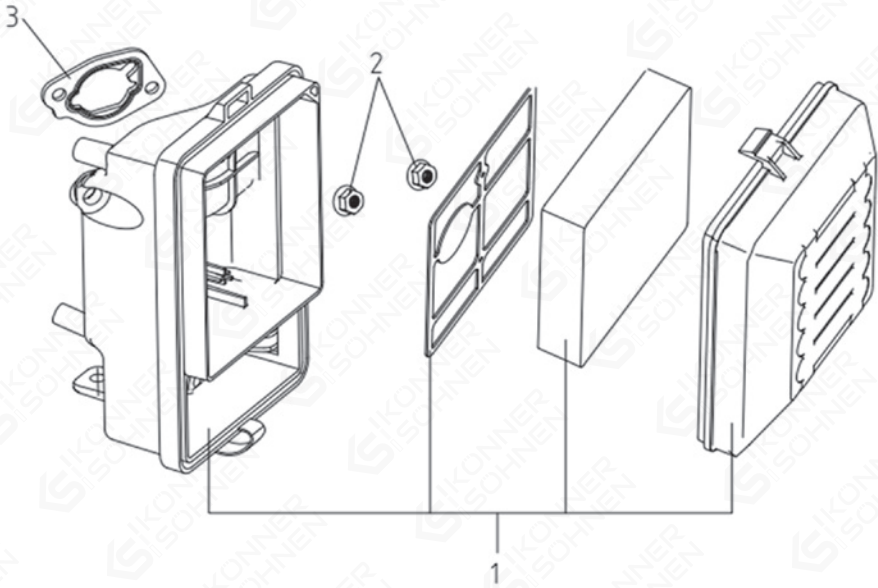
No	REF. No	DESCRIPTION	QTY
1	KS 4000iE S-14-1	Muffler Front	1
2	KS 4000iE S-14-2	Exhaust Sealing Pad	1
3	KS 4000iE S-14-3	Bolt , Flange , 6×12	2
4	KS 4000iE S-14-4	Hex Nut	2
5	KS 4000iE S-14-5	Muffler Assy	1
6	KS 4000iE S-14-6	Muffler Real Shield	2
7	KS 4000iE S-14-7	Blot	6

15. CARBURETOR



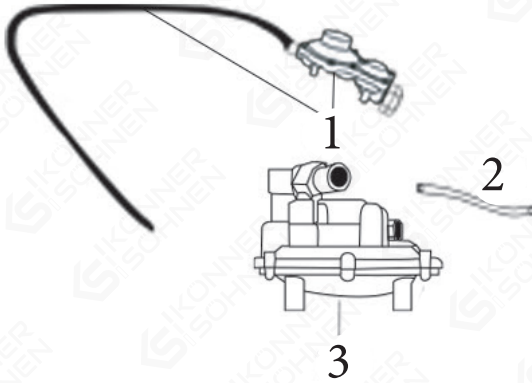
No	REF. No	DESCRIPTION	QTY
1	KS 4000iE S-15-1	Carburetor	1
2	KS 4000iE S-15-2	Carburetor Insulator Sealing Pad	1
3	KS 4000iE S-15-3	Spacer, Carburetor	1
4	KS 4000iE S-15-4	Air Intake Sealing Pad	1

16. AIR CLEANER



No	REF. No	DESCRIPTION	QTY
1	KS 4000iE S-16-1	Air Cleaner	1
2	KS 4000iE S-16-2	Hex Nut	2
3	KS 4000iE S-16-3	Air Filter Gasket	1

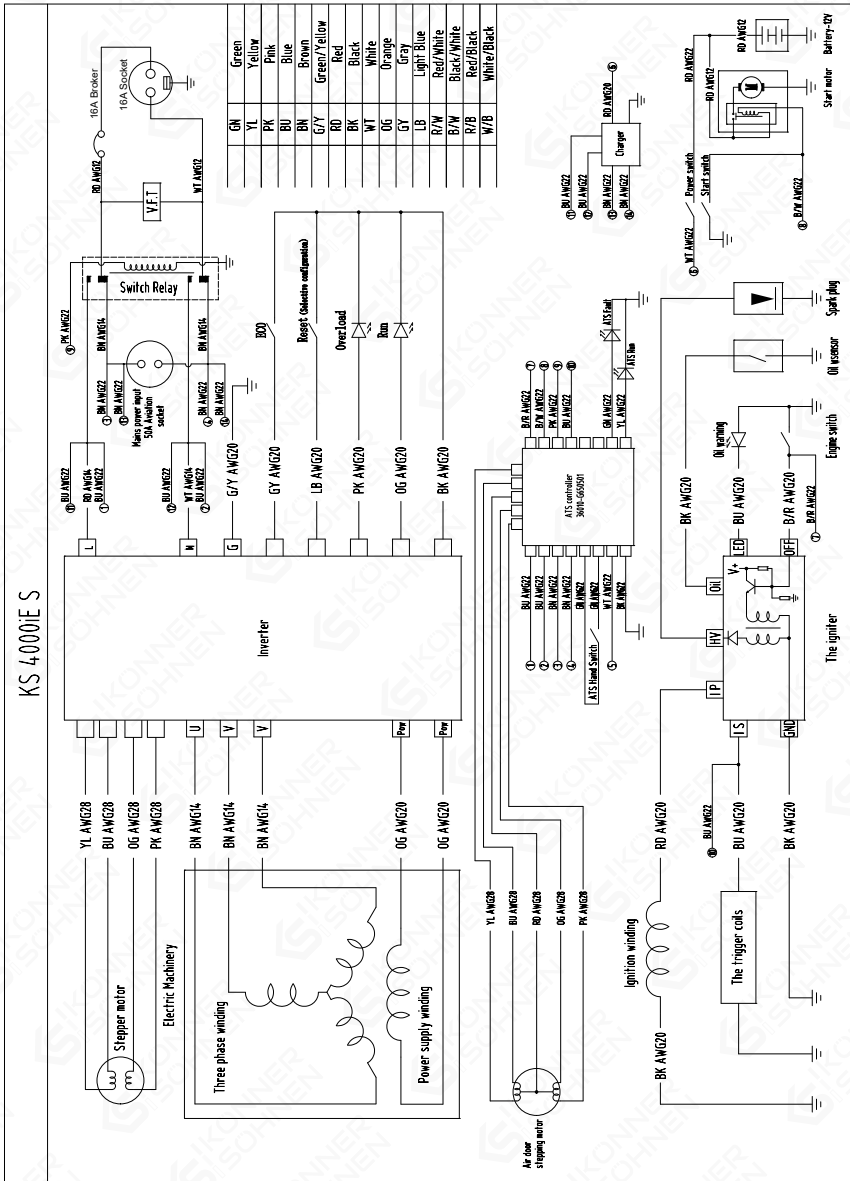
17. PARTS OF LPG GEARBOX



No	REF. No	DESCRIPTION	QTY
1	KS 4000iEG S-17-1	LPG inlet tube with reducing valve	1
2	KS 4000iEG S-17-2	De-compressor	1
3	KS 4000iEG S-17-3	Tube	1

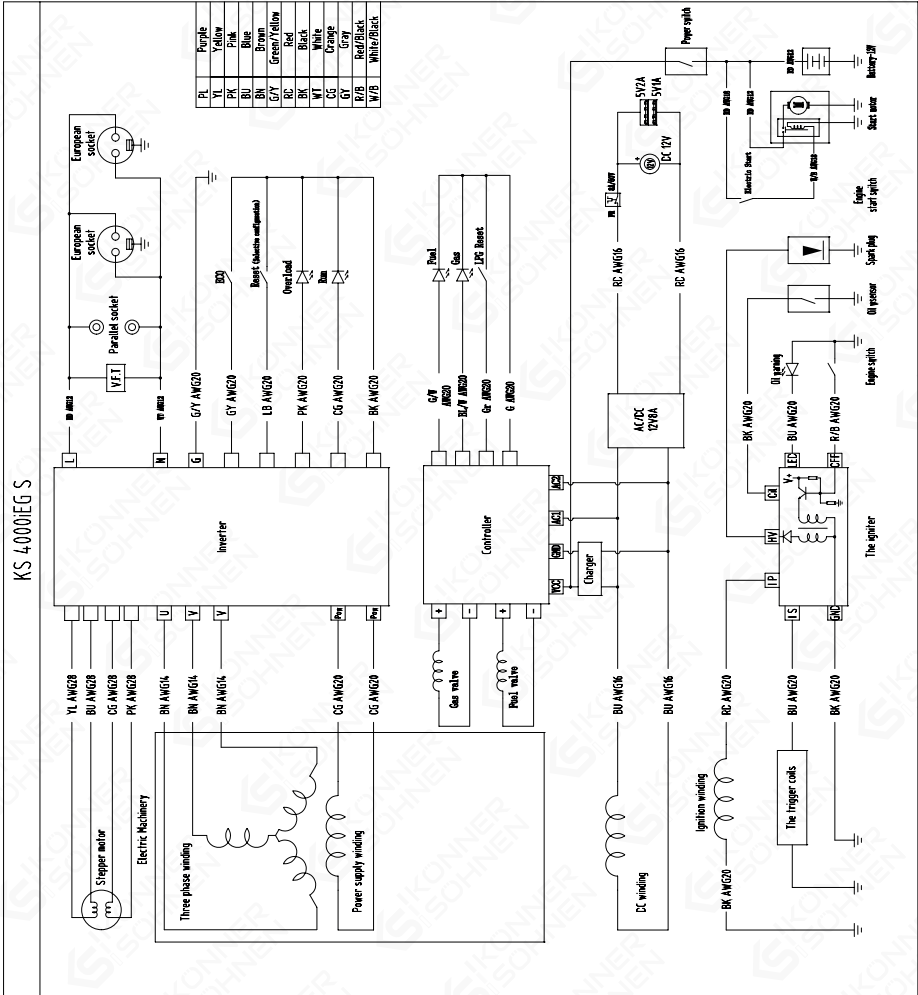
18. ELECTRICAL DIAGRAMS

For model KS 4000iE S



20. ELECTRICAL DIAGRAMS

For model KS 4000iEG S



CONTACTS

konner-sohnen.com

Germany

info@dimaxgroup.de

Poland

info.pl@dimaxgroup.de

Ukraine

sales@ks-power.com.ua