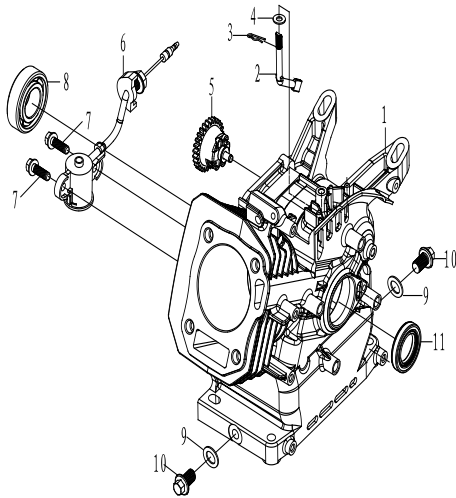
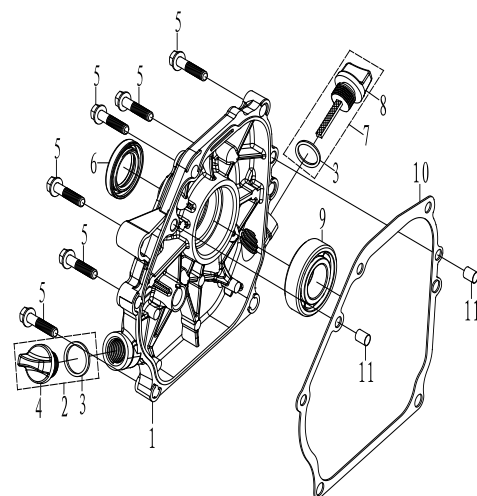


| Lp | Kod             | Nazwa                 | 168FB-2/P | 170F-2/P |
|----|-----------------|-----------------------|-----------|----------|
| 1  | 1201400017-0003 | HEAD COVER            | 1         | 1        |
| 2  | 360300005       | BOLT GB/T5789 M6×12   | 4         | 4        |
| 3  | 1202000007-0001 | GASKET, HEAD COVER    | 1         | 1        |
| 4  | 360300130       | BOLT GB/T5789 M8×60   | 4         | 4        |
| 5  | 2204700002-0001 | PLUG, SPARK F7TC      | 1         | 1        |
| 6  | 1909300003-0002 | BOLT, STUD, M8×35     | 1         | 1        |
| 7  | 1909200001-0001 | BOLT, STUD, M6×113    | 1         | 1        |
| 8  | 1200200014-0002 | CYLINDER HEAD ASSY    | 1         |          |
|    | 1200200015-0002 | CYLINDER HEAD ASSY    |           | 1        |
| 9  | 1200800035-0001 | GASKET, CYLINDER HEAD | 1         |          |
| 9  | 1200800037-0001 | GASKET, CYLINDER HEAD |           | 1        |
| 10 | 3411200001-0002 | PIN, DOWEL φ10×16     | 2         | 2        |

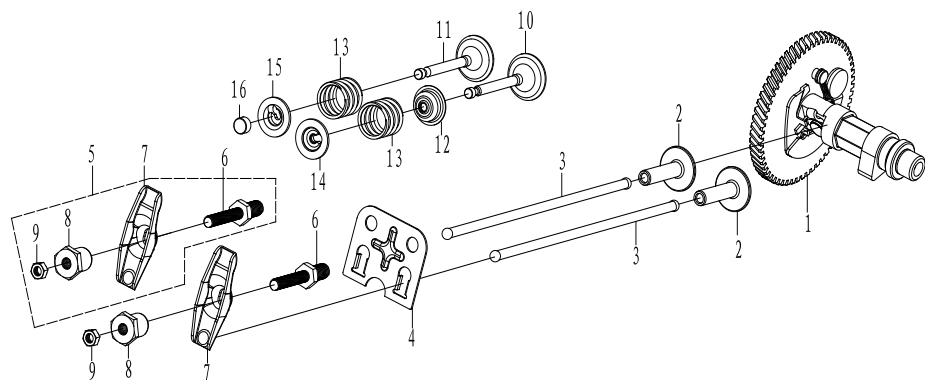


| Lp | Kod             | Nazwa  | 168FB-2/P | 170F-2/P |
|----|-----------------|--|-----------|----------|
| 1  | 1100300068-0001 | CRANKCASE COMP                                 | 1         |          |
|    | 1100300013-0001 | CRANKCASE COMP                                 |           | 1        |
| 2  | 1702100003-0001 | GOVERNOR ARM SHAFT                             | 1         | 1        |
| 3  | 3410000003-0001 | LOCKER,GOVERNOR ARM SHAFT                      | 1         | 1        |
| 4  | 3412100024-0002 | PLAIN WASHER $\phi 6 \times \phi 13 \times 1$  | 1         | 1        |
| 5  | 1701200004-0001 | GOVERNOR KIT                                   | 1         | 1        |
| 6  | 2300100003-0002 | OIL SENSOR                                     | 1         | 1        |
| 7  | 360300007       | BOLT M6x16                                     | 2         | 2        |
| 8  | 360720036       | BEARING 6205                                   | 1         | 1        |
| 9  | 3412100041-0001 | PLAIN WASHER $\phi 10 \times \phi 15 \times 2$ | 2         | 2        |
| 10 | 360290002       | BOLT, DRAIN PLUG M10x1.25x15                   | 2         | 2        |
| 11 | 360800010       | OIL SEAL $\phi 25 \times \phi 41.25 \times 6$  | 1         | 1        |

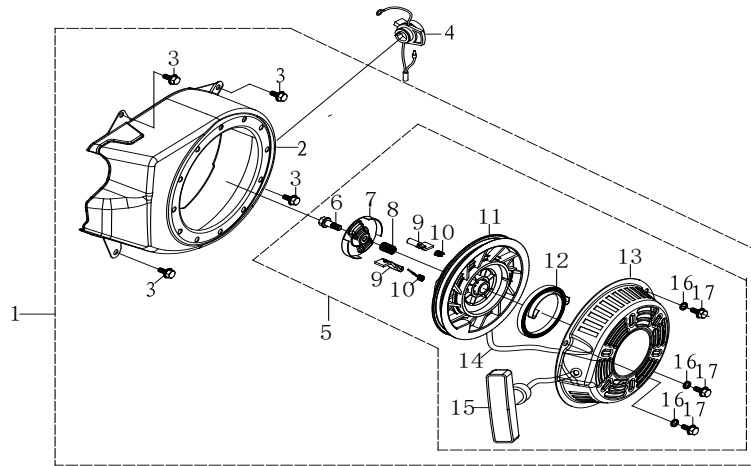


| Lp | Kod             | Nazwa                 | 168FB-2/P | 170F-2/P |
|----|-----------------|-----------------------|-----------|----------|
| 1  | 110100006-0003  | COVER, CRANKCASE      | 1         | 1        |
| 2  | 110220005-0002  | OIL FILLER PLUG ASSY  | 1         | 1        |
| 3  | 3416100001      | DIPSTICK SEALING RING | 1         | 1        |
| 4  | 1102300001-0002 | OIL FILLER PLUG       | 2         | 2        |
| 5  | 360300205       | BOLT M8×32            | 6         | 6        |
| 6  | 360800010       | OIL SEAL              | 1         | 1        |
| 7  | 1101500002-0003 | DIPSTICK ASSY         | 1         | 1        |
| 8  | 1104700007-0001 | DIPSTICK              | 1         | 1        |
| 9  | 360720036       | BEARING GB/T276/6205  | 1         | 1        |
| 10 | 1101400005-0001 | GASKET, CASE COVER    | 1         | 1        |
| 11 | 3411200003-0002 | PIN, DOWEL, φ8×14     | 2         | 2        |

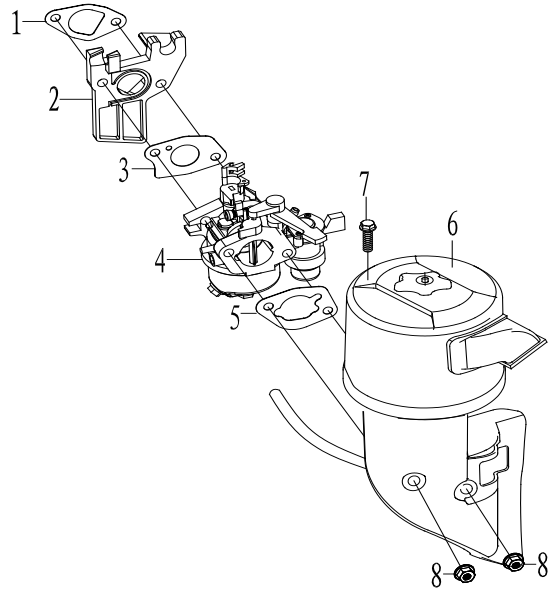




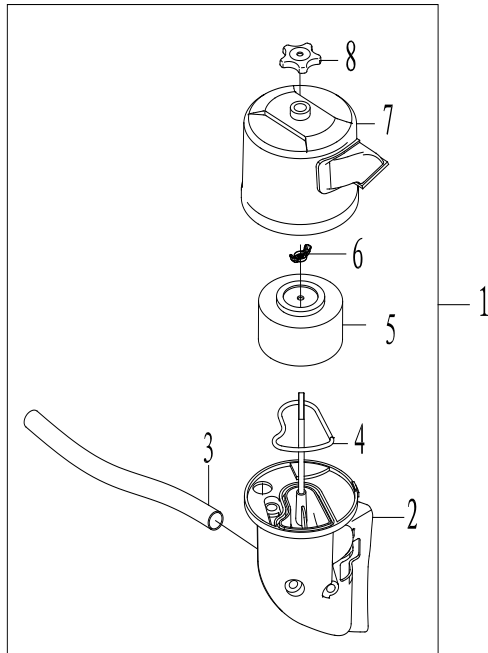
| Lp | Kod             | Nazwa                     | 168FB-2/P | 170F-2/P |
|----|-----------------|---------------------------|-----------|----------|
| 1  | 1400100008-0001 | CAMSHAFT ASSY             | 1         |          |
|    | 1400100008-0001 | CAMSHAFT ASSY             |           | 1        |
| 2  | 1403400004-0001 | LIFTER, VALVE             | 2         |          |
|    | 1403400004-0001 | LIFTER, VALVE             |           | 2        |
| 3  | 1401100002-0001 | ROD, PUSH                 | 2         | 2        |
| 4  | 1401500001-0001 | PLATE, PUSH ROD GUIDE     | 1         | 1        |
| 5  | 1401900002-0001 | ARM ASSY, VALVE ROCKER    | 2         | 2        |
| 6  | 1402400001-0001 | BOLT, PIVOT               | 2         | 2        |
| 7  | 1402000004-0001 | ARM, VALVE ROCKER         | 2         | 2        |
| 8  | 1402500001-0001 | ADJUSTING NUT, VALVE      | 2         | 2        |
| 9  | 1403700001-0001 | NUTT, PIVOT LOCKING       | 2         | 2        |
| 10 | 1401700003-0001 | VALVE, INLET              | 1         | 1        |
| 11 | 1401800004-0001 | VALVE, EXHAUST            | 1         |          |
|    | 1401800005-0001 | VALVE, EXHAUST            |           | 1        |
| 12 | 1200900003-0001 | VALVE SEAL                | 1         | 1        |
| 13 | 1402700003-0001 | SPRING, VALVE             | 2         | 2        |
| 14 | 1402800003-0002 | INTAKE VALVE SPRING SEAT  | 1         | 1        |
| 15 | 1403800001-0001 | EXHAUST VALVE SPRING SEAT | 1         | 1        |
| 16 | 1403300002-0002 | ADJUSTER, EX. VALVE       | 1         | 1        |



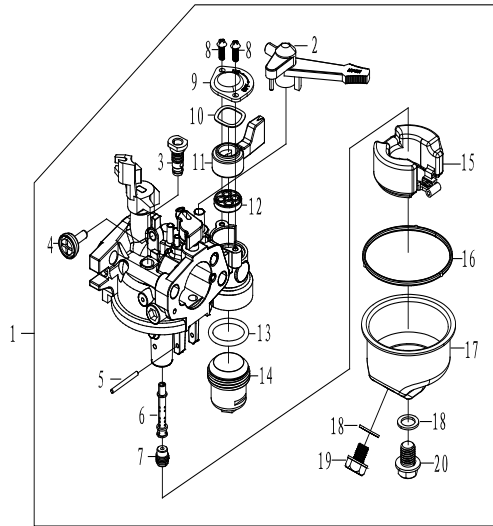
| Lp | Kod             | Nazwa                      | 168FB-2/P | 170F-2/P |
|----|-----------------|----------------------------|-----------|----------|
| 1  | 2000100007-0003 | RECOIL STARTER ASSY        | 1         | 1        |
| 2  | 1600100042-0004 | WIND SCOOPER               | 1         | 1        |
| 3  | 360220079       | BOLT GB/T16674.1/M6*12     | 4         | 4        |
| 4  | 2205000001-0001 | SWITH ASSY,ENGINE STOP     | 1         | 1        |
| 5  | 2000200010-0002 | STARTER COMP, RECOIL       | 1         | 1        |
| 6  | 2000500001-0001 | CENTER POSITION BOLT       | 1         | 1        |
| 7  | 2000600001-0001 | RATCHET, GUIDE             | 1         | 1        |
| 8  | 2000700001-0001 | CENTER POSITION SPRING     | 1         | 1        |
| 9  | 2000800003-0001 | RATCHET, STARTER           | 2         | 2        |
| 10 | 2000900001-0001 | SPRING, RETURN             | 2         | 2        |
| 11 | 2001000001-0001 | REEL, RECOIL STARTER       | 1         | 1        |
| 12 | 2001200003-0001 | SPRING, STARTER RETURN     | 1         | 1        |
| 13 | 2000300014-0001 | STARTER COVER COMP, RECOIL | 1         | 1        |
| 14 | 2001300001-0001 | ROPE, RECOIL STARTER       | 1         | 1        |
| 15 | 2001400003-0001 | HANDLE, STARTER            | 1         | 1        |
| 16 | 360630007       | RECOIL STARTER ASSY 6      | 3         | 3        |
| 17 | 360220002       | BOLT M6×10                 | 3         | 3        |



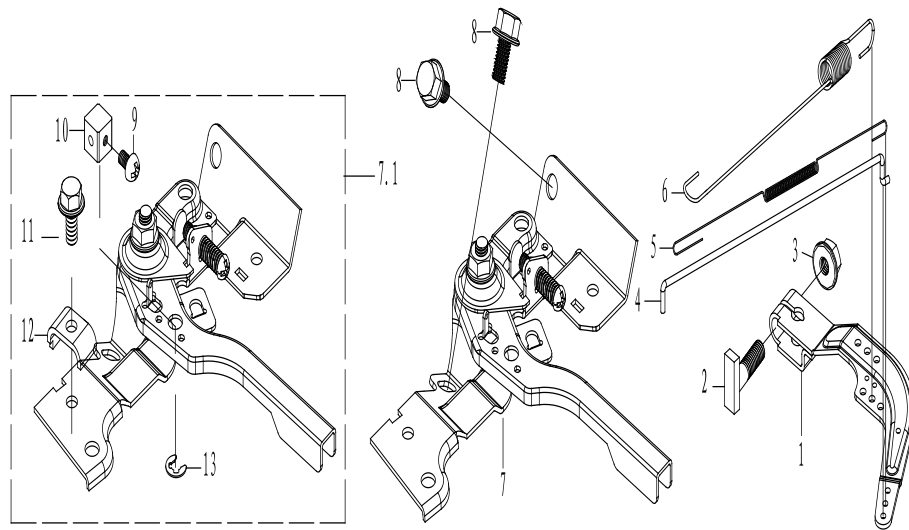
| Lp | Kod             | Nazwa               | 168FB-2/P | 170F-2/P |
|----|-----------------|---------------------|-----------|----------|
| 1  | 1900100017-0001 | AIR INTAKE WASHER   | 1         | 1        |
| 2  | 1900300005-0001 | INSULATOR           | 1         | 1        |
| 3  | 1900200005-0001 | PACKING, CARBURETOR | 1         | 1        |
| 4  | 1807900007-0001 | CARBURETOR          | 1         |          |
|    | 1807900089-0001 | CARBURETOR          |           | 1        |
| 5  | 1901000010-0001 | GASKET, AIR CLEANER | 1         | 1        |
| 6  | 1901100025-0001 | AIR CLEANER ASSY    | 1         | 1        |
| 7  | 360300047       | BOLT GB/T5789/M6*22 | 1         | 1        |
| 8  | 360040004       | NUT GB/T6177/M6     | 2         | 2        |



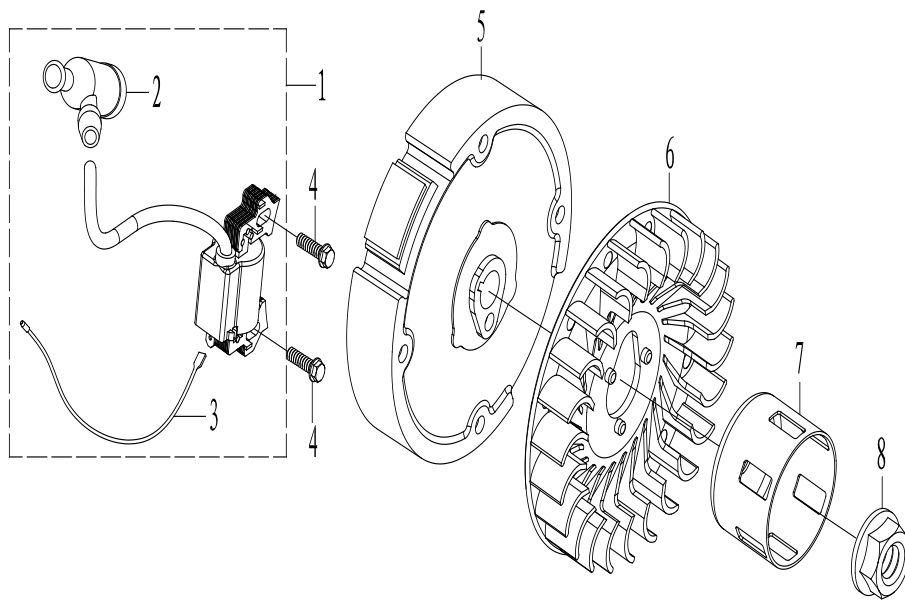
| Lp | Kod             | Nazwa                       | 168FB-2/P | 170F-2/P |
|----|-----------------|-----------------------------|-----------|----------|
| 1  | 1901100025-0001 | AIR CLEANER ASSY            | 1         | 1        |
| 2  | 1902400010-0001 | AIR CLEANER CASE            | 1         | 1        |
| 3  | 1203500012-0001 | WASTE GAS PIPE              | 1         | 1        |
| 4  | 1902100002-0001 | PACKING                     | 1         | 1        |
| 5  | 1903700017-0001 | SPENGE ELEMENT, AIR CLEANER | 1         | 1        |
| 6  | 360100003       | BUTTERFLY NUT               | 1         | 1        |
| 7  | 1901300003-0002 | COVER,AIR CLEANER           | 1         | 1        |



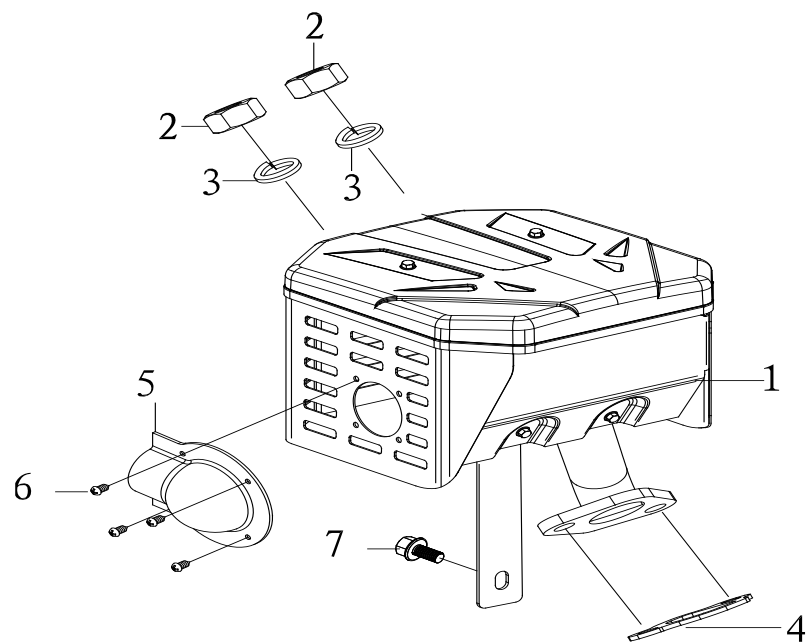
| Lp | Kod             | Nazwa                   | 168FB-2/P | 170F-2/P |
|----|-----------------|-------------------------|-----------|----------|
| 1  | 1807900007-0001 | CARBURETOR              | 1         |          |
|    | 1807900089-0001 | CARBURETOR              |           | 1        |
| 2  | 1808500006-0001 | CHOKE PLATE HANDLE      | 1         | 1        |
| 3  | 1808900001-0001 | IDLE HOLE COMPONENT     | 1         | 1        |
| 4  | 1808800002-0001 | JET SET, PILOT          | 1         | 1        |
| 5  | 1809400001-0001 | PIN                     | 1         | 1        |
| 6  | 1809500003-0001 | NOZZLE, MAIN            | 1         |          |
|    | 1809500001-0001 | NOZZLE, MAIN            |           | 1        |
| 7  | 1809600005-0001 | JET, MAIN               | 1         |          |
|    | 1809600001-0001 | JET, MAIN               |           | 1        |
| 9  | 1811200001-0001 | FUEL SWITCH COVER PLATE | 1         | 1        |
| 10 | 1811400004-0001 | WASHER                  | 1         | 1        |
| 11 | 1811300002-0001 | FUEL SWITCH HANDLE      | 1         | 1        |
| 12 | 1811400004-0001 | FUEL SWITCH SEAL        | 1         | 1        |
| 13 | 1905300004-0001 | SEDIMENT BOWL SEAL      | 1         | 1        |
| 14 | 1811500001-0001 | SEDIMENT BOWL           | 1         | 1        |
| 15 | 1809300002-0001 | FLOAT SET               | 1         | 1        |
| 16 | 1905400002-0001 | CHAMBER SET,FLOAT       | 1         | 1        |
| 17 | 1809700001-0001 | WASHER                  | 1         | 1        |
| 18 | 1808000001-0001 | GASKET                  | 2         | 2        |
| 19 | 3403900008-0001 | BOLT, DRAIN PLUG        | 1         | 1        |
| 20 | 1811000001-0001 | BOLT                    | 1         | 1        |



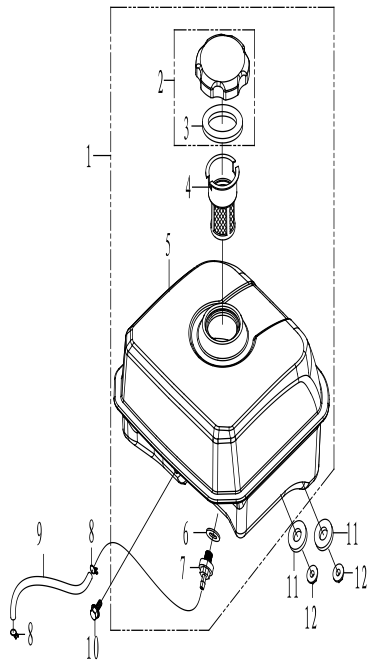
| Lp  | Kod             | Nazwa                  | 168FB-2/P | 170F-2/P |
|-----|-----------------|------------------------|-----------|----------|
| 1   | 1702000003-0001 | ARM, GOVERNOR          | 1         | 1        |
| 2   | 3410500002-0001 | T-SHAPE BOLT           | 1         | 1        |
| 3   | 360040004       | NUT M6                 | 1         | 1        |
| 4   | 1701700006-0001 | TIE ROD                | 1         | 1        |
| 5   | 1701800003-0001 | FINE ADJUSTMENT SPRING | 1         | 1        |
| 6   | 1701900004-0001 | GOVERNING SPRING       | 1         | 1        |
| 7   | 1700100011-0001 | CONTROL ASSY           | 1         | 1        |
| 7,1 | 1700100032-0001 | CONTROL ASSY           | 1         | 1        |
| 8   | 360300004       | BOLT M6×12             | 2         | 2        |
| 9   | 360410057       | SCREW M4×6             | 1         | 1        |
| 10  | 1700800004-0001 | WIRE TERMINAL          | 1         | 1        |
| 11  | 360330002       | BOLT M5×16             | 1         | 1        |
| 12  | 1700900001-0001 | PRESS LINE BOARD       | 1         | 1        |
| 13  | 360940002       | SPLIT WASHER           | 1         | 1        |



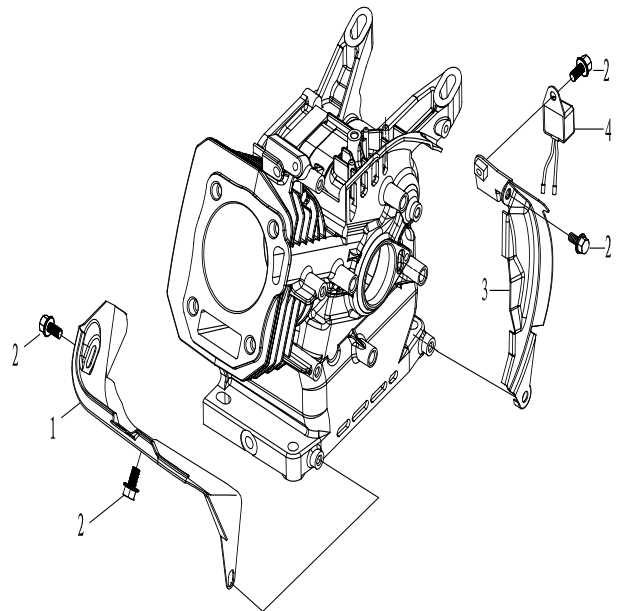
| Lp | Kod             | Nazwa            | 168FB-2/P | 170F-2/P |
|----|-----------------|------------------|-----------|----------|
| 1  | 2204100008-0001 | IGNITION         | 1         | 1        |
| 2  | 2204600002-0001 | CAP,IGNITION     | 1         | 1        |
| 3  | 2204500005-0001 | CORD,STOP SWITCH | 1         | 1        |
| 4  | 360300047       | BOLT M6×22       | 1         | 1        |
| 5  | 1303000006-0001 | FLYWEEL          | 1         | 1        |
| 6  | 1601200005-0001 | FAN, COOLING     | 1         | 1        |
| 7  | 2001900003-0002 | PULLEY, STARTER  | 1         | 1        |
| 8  | 360050006       | NUT M14×1.5      | 2         | 2        |



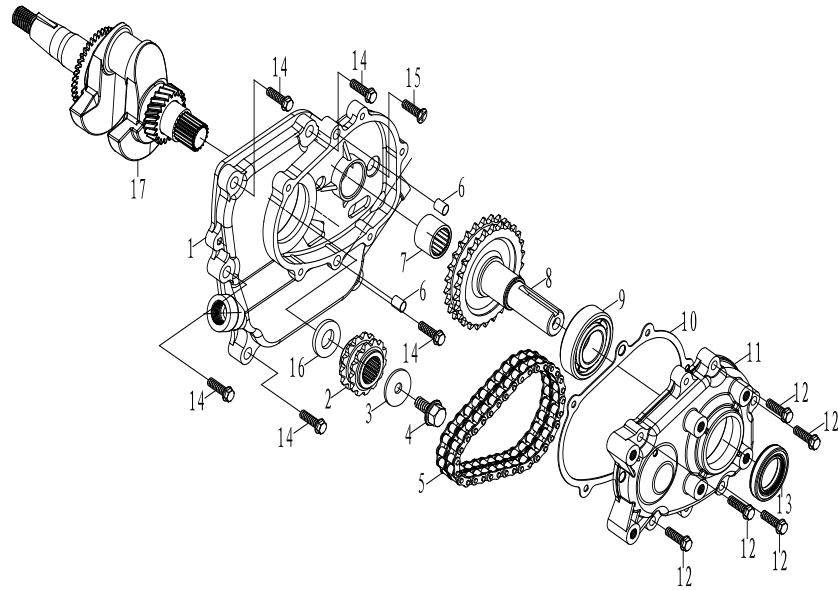
| Lp | Kod             | Nazwa              | 168FB-2/P | 170F-2/P |
|----|-----------------|--------------------|-----------|----------|
| 1  | 1906300017-0001 | MUFFLER COMP       | 1         | 1        |
| 2  | 360010003       | NUT M8             | 2         | 2        |
| 3  | 360620008       | SPRING WASHER 8    | 2         | 2        |
| 4  | 1906100003-0001 | AIR EXHAUST WASHER | 1         | 1        |
| 5  | 1908500001-0001 | GUIDING COVER      | 1         | 1        |
| 6  | 360450005       | SCREW ST4.2×5      | 4         | 4        |
| 7  | 360300005       | BOLT M6×12         | 1         | 1        |



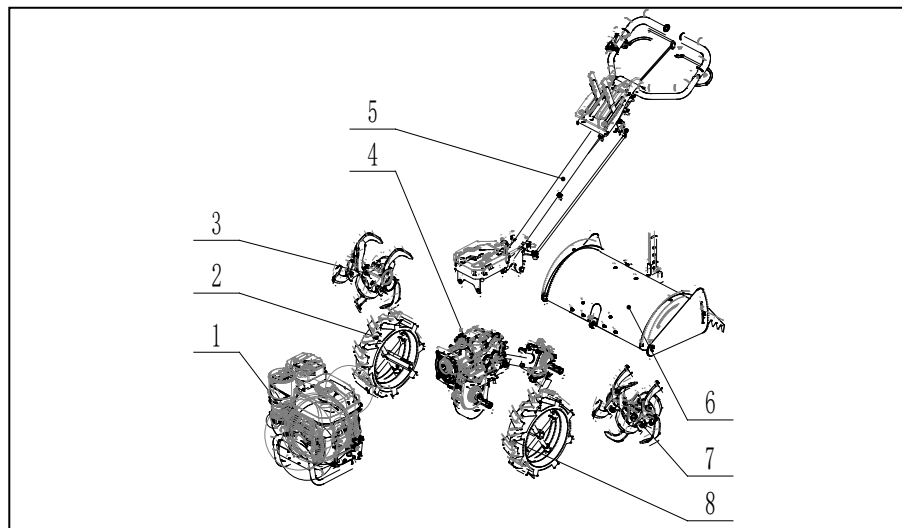
| Lp | Kod             | Nazwa                | 168FB-2/P | 170F-2/P |
|----|-----------------|----------------------|-----------|----------|
| 1  | 1800100041-0001 | TANK FUEL COMP.      | 1         | 1        |
| 2  | 1800900017-0001 | CAP COMP,FUEL FILLER | 1         | 1        |
| 3  | 1801200001-0001 | PACKING,FUEL FILLER  | 1         | 1        |
| 4  | 1801800001-0001 | FILTER FUEL          | 1         | 1        |
| 5  | 1800200051-0001 | FUEL TANK            | 1         | 1        |
| 6  | 1801200001-0001 | PACKING              | 1         | 1        |
| 7  | 1801900001-0001 | JOINT,FUEL TANK      | 1         | 1        |
| 8  | 3413300002-0001 | CLIP,TUBE            | 2         | 2        |
| 9  | 1816300040-0001 | TUBE,FUEL            | 1         | 1        |
| 10 | 360220029       | BOLT M6×30           | 1         | 1        |
| 11 | 1802500001-0001 | WASHER,              | 1         | 1        |
| 12 | 360040008       | NUT M6               | 1         | 1        |



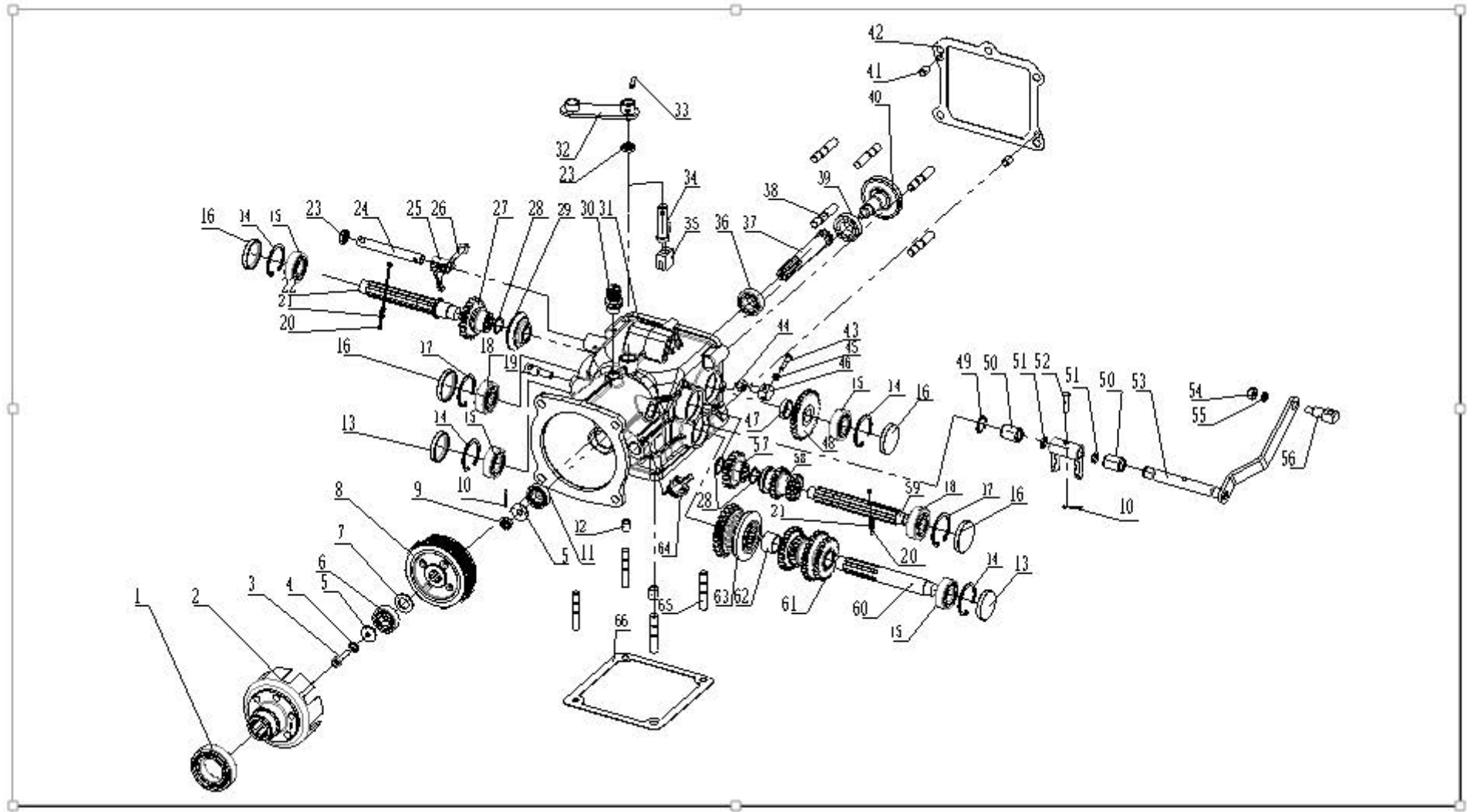
| Lp | Kod             | Nazwa               | 168FB-2/P | 170F-2/P |
|----|-----------------|---------------------|-----------|----------|
| 1  | 1600600023-0001 | WINDSHIELD          | 1         | 1        |
| 2  | 360300005       | BOLT M6×12          | 4         | 4        |
| 3  | 1601100008-0001 | SHROUD COMP         | 1         | 1        |
| 4  | 2300300001-0001 | BREAKER, PROTECTIVE | 1         | 1        |
|    |                 |                     |           |          |



| Lp | Kod             | Nazwa   | 168FB-2/P | 170F-2/P |
|----|-----------------|---|-----------|----------|
| 1  | 110100006-0003  | CRANKCASE COVER ASSY                          | 1         | 1        |
| 2  | 2100300013-0001 | DRIVE SPROCKET WHEEL                          | 1         | 1        |
| 3  | 3412100003-0001 | WASHER $\phi 8 \times \phi 28 \times 3$       | 1         | 1        |
| 4  | 360250029       | BOLT M8 $\times$ 30                           | 1         | 1        |
| 5  | 2100200025-0001 | CHAIN COMP 06B-2 $\times$ 34L                 | 1         | 1        |
| 6  | 3411200003-0001 | PIN,DOWEL $\phi 8 \times 14$                  | 2         | 2        |
| 7  | 360730008       | BEARING HK2016                                | 1         | 1        |
| 8  | 2100100003-0001 | DRIVEN SPROCKET WHEEL                         | 1         | 1        |
| 9  | 360720036       | BEARING 6205/P6                               | 1         | 1        |
| 10 | 2100800003-0001 | PACKING                                       | 1         | 1        |
| 11 | 2100700003-0001 | COVER,REDUCTION GEARBOX                       | 1         | 1        |
| 12 | 360300047       | BOLT M6 $\times$ 22                           | 5         | 5        |
| 13 | 360800010       | OIL SEAL $\phi 25 \times \phi 41.25 \times 6$ | 1         | 1        |
| 14 | 360300016       | BOLT M8 $\times$ 32                           | 5         | 5        |
| 15 | 360430010       | SCREW M8 $\times$ 25                          | 1         | 1        |
| 16 | 3412100039-0001 | WASHER $\phi 20.5 \times \phi 39 \times 3$    | 1         | 1        |
| 17 | 1302000020-0000 | CRANK SHAFT ASSY                              | 1         |          |
| 17 | 1302000048-0000 | CRANK SHAFT ASSY                              |           | 1        |



| Lp | Nazwa                        | Ilość |
|----|------------------------------|-------|
| 1  | engine part                  | 1     |
| 2  | travel wheel assembly right  | 1     |
| 3  | right-hand cultivation knife | 1     |
| 4  | transmission assembly        | 1     |
| 5  | armrest control assembly     | 1     |
| 6  | mudguard assembly            | 1     |
| 7  | left-hand cultivation knife  | 1     |
| 8  | travel wheel assembly left   | 1     |

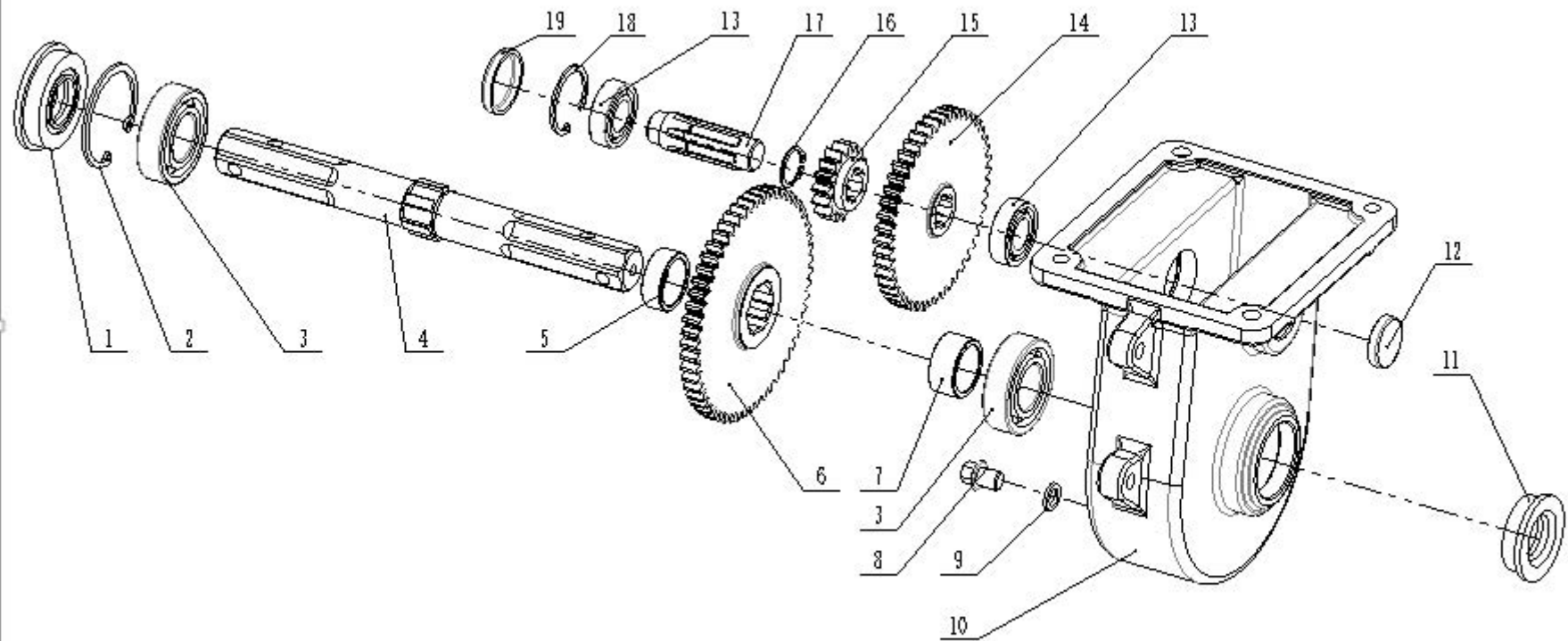


| Lp | Kod             | Nazwa  | Ilość |
|----|-----------------|--|-------|
| 1  | 360720013       | Deep groove ball bearing 6007                  | 1     |
| 2  | 2101400011-0001 | Clutch cover assembly                          | 1     |
| 3  | 360220040       | Hexagonal flange face bolts small series M8*20 | 1     |
| 4  | 360890004       | External tooth lock washer                     | 1     |
| 5  | 360640005       | Large washer 8                                 | 2     |
| 6  | 360720019       | Deep Groove Ball Bearing 6202                  | 1     |
| 8  | 2101200006-0001 | Clutch insert assembly                         | 1     |
| 9  | 360070009       | Hexagonal slotted thin nuts grade A and B M8   | 1     |
| 10 | 360560021       | Cotter pin 1.6*20                              | 2     |
| 11 | 360720019       | Deep groove ball bearings 6202                 | 1     |
| 12 | 3411200006-0001 | Positioning pin 10*12                          | 2     |
| 13 | 3409000006-0001 | Oil plug 42.3*6                                | 2     |
| 14 | 360910004       | Elastic retaining ring for hole 42             | 2     |
| 15 | 360720046       | Deep groove ball bearing 6302                  | 2     |
| 16 | 3409000007-0001 | Oil plug 40*6                                  | 4     |
| 17 | 360910021       | Elastic lock washer for holes 40               | 4     |
| 18 | 360720025       | Deep groove ball bearing 6203                  | 4     |

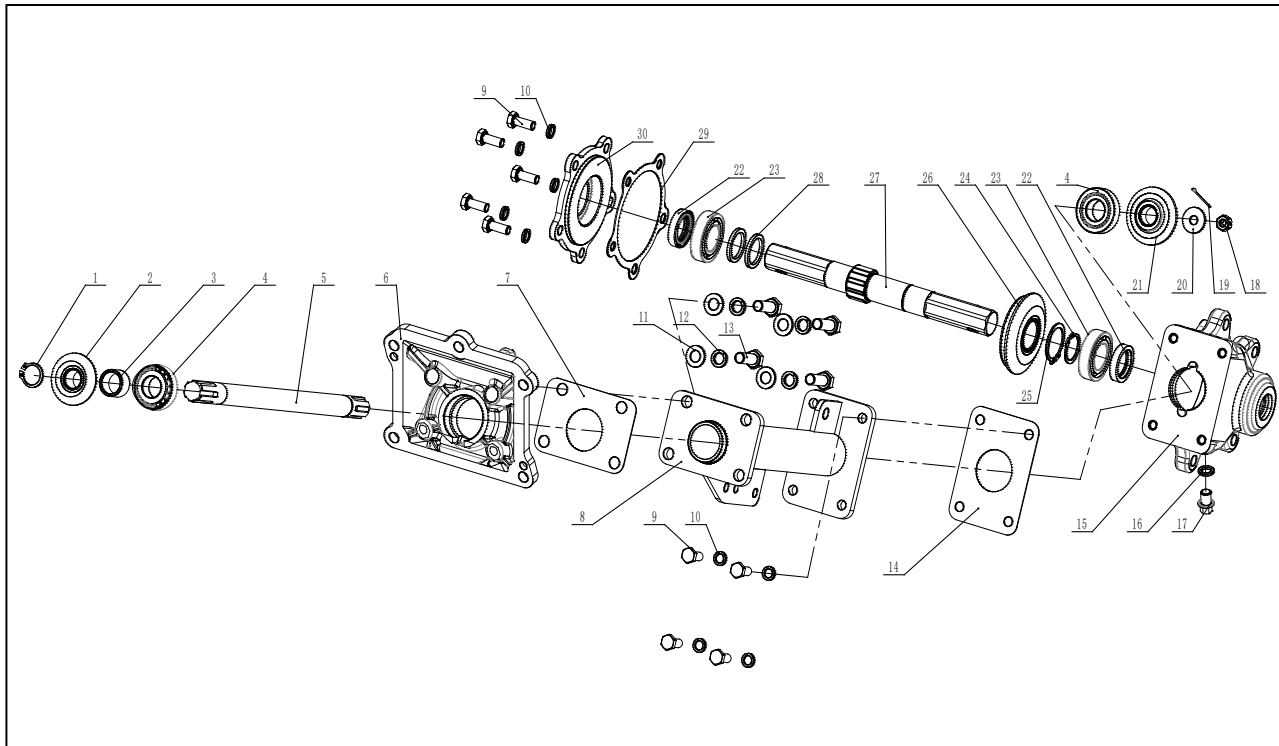
| Lp | Kod             | Nazwa   | Ilość |
|----|-----------------|---|-------|
| 19 | 2805300008-0001 | Bracing piece                                     | 1     |
| 20 | 360970002       | Steel Ball 6.35                                   | 4     |
| 21 | 3404800005-0001 | Gear spring                                       | 2     |
| 22 | 2115100005-0001 | III axis  | 1     |
| 23 | 3408800004-0001 | Non-standard oil seal 12*18*4                     | 2     |
| 24 | 2103600003-0001 | Cultivation box fork shaft                        | 1     |
| 25 | 2103100002-0001 | Cultivation box fork                              | 1     |
| 26 | 360220027       | Small series of hexagonal flange bolts M6*20      | 1     |
| 27 | 2118900008-0001 | Slip gear   | 1     |
| 28 | 360920064       | Shaft circlip 20                                  | 3     |
| 29 | 2129800008-0001 | Drive bevel gear                                  | 1     |
| 30 | 3414100006-0001 | Pressure relief bolt                              | 1     |
| 31 | 2106400027-0001 | Transmission                                      | 1     |
| 32 | 2116300014-0001 | Shift arm   | 1     |
| 33 | 360580028       | Elastic cylindrical pin rolled standard type 5*25 | 1     |
| 34 | 2101700007-0001 | Shift fork shaft                                  | 1     |

| Lp | Kod             | Nazwa  | Ilość |
|----|-----------------|--|-------|
| 35 | 2110400004-0001 | Shift paddle                                   | 1     |
| 36 | 360720004       | Deep groove ball bearing 6003                  | 1     |
| 37 | 2114500015-0001 | Input shaft                                    | 1     |
| 38 | 360540007       | Equal length double-ended studs grade C M10*40 | 5     |
| 39 | 360750011       | Tapered roller bearing 32904                   | 1     |
| 40 | 2125500002-0001 | Secondary shaft assembly                       | 1     |
| 41 | 3411200007-0001 | Positioning pin 8*12                           | 2     |
| 42 | 3400800002-0001 | Transmission rear box paper mat                | 1     |
| 43 | 360250004       | Fully threaded hexagon head bolts M5 x 20      | 1     |
| 44 | 360030003       | Hexagon Thin Nut M8                            | 1     |
| 45 | 360150009       | Type 1 Hex Nut M5                              | 1     |
| 46 | 3005300003-0001 | Clutch seat                                    | 1     |
| 47 | 3410800211-0001 | Bushing $\Phi$ 20.2*25*7                       | 1     |
| 48 | 2119500008-0001 | Transmission gear                              | 1     |
| 49 | 360920071       | Shaft circlip 14                               | 1     |
| 50 | 3410800147-0001 | Bushing $\Phi$ 14*18*25                        | 2     |
| 51 | 360710051       | O-ring 9.5*2.65                                | 2     |

| Lp | Kod             | Nazwa   | Ilość |
|----|-----------------|---|-------|
| 52 | 361020079       | Pin 6*25                                      | 1     |
| 53 | 2102400011-0001 | Clutch fork shafts                            | 1     |
| 54 | 360010003       | Hexagonal nut M8                              | 1     |
| 55 | 360620008       | Spring washers 8                              | 1     |
| 56 | 3005300006-0001 | Clutch cable movable seat                     | 1     |
| 57 | 2139200002-0001 | 2-axis active gear                            | 1     |
| 58 | 2119800007-0001 | Gearshift teeth                               | 1     |
| 59 | 2114900005-0001 | II axis                                       | 1     |
| 60 | 2115000004-0001 | I axis  | 1     |
| 61 | 2155800001-0001 | Drive gear assembly                           | 1     |
| 62 | 3410800210-0001 | Bushing 20.2*25*17                            | 1     |
| 63 | 2155900001-0001 | Slave bevel gear assembly                     | 1     |
| 64 | 3403400002-0001 | Oil filling screw plug                        | 1     |
| 65 | 360540006       | Equal length double-ended studs grade C M8*40 | 4     |
| 66 | 3400300020-0001 | Paper pads                                    | 1     |

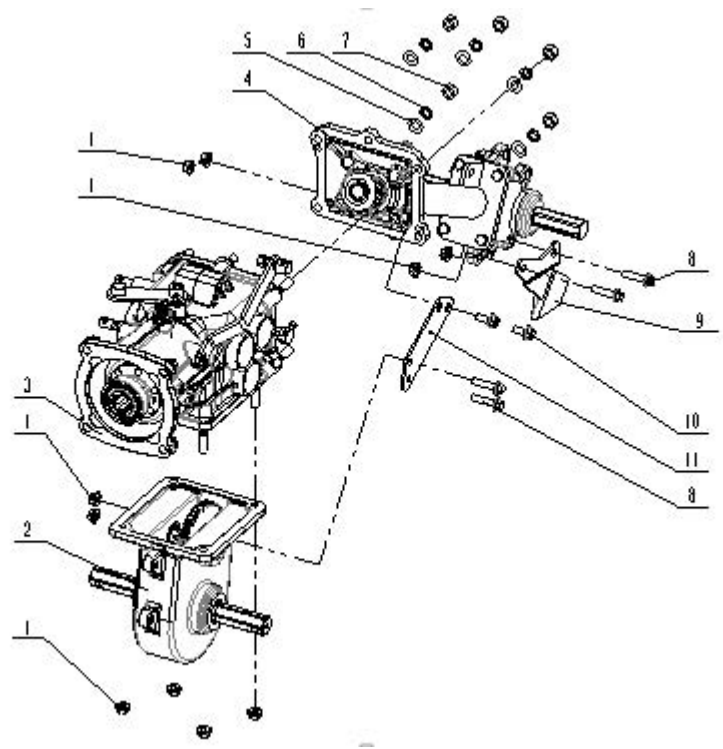


| Lp | Kod             | Nazwa  | Ilość |
|----|-----------------|--|-------|
| 1  | 3408800017-0001 | Non-standard oil seal 25*52*9.5                              | 1     |
| 2  | 360910011       | Circlips for holes 52  | 1     |
| 3  | 360720036       | Deep groove ball bearing 6205                                | 2     |
| 4  | 2113600032-0001 | Output shaft   | 1     |
| 5  | 3410800196-0001 | Bushing 25.5×32×11.5   | 1     |
| 6  | 2119600005-0001 | Output shaft gear  | 1     |
| 7  | 3410800195-0001 | Bushing 25.5×32×15.5   | 1     |
| 8  | 360290001       | Hexagon Flange Bolts Fine Thread Small Series<br>M10*1.25*12 | 1     |
| 9  | 3400100006-0001 | Non-standard gasket 10*16*2                                  | 1     |
| 10 | 2124500029-0001 | Box movement   | 1     |
| 11 | 3408800018-0001 | Non-standard oil seal 25*41*9.5                              | 1     |
| 12 | 3409000001-0001 | Oil plug 28*6  | 1     |
| 13 | 360720004       | Deep groove ball bearing 6003                                | 2     |
| 14 | 2118700003-0001 | Movement slave gears   | 1     |
| 15 | 2100400012-0001 | Drive gear   | 1     |
| 16 | 360920064       | Shaft circlip 20   | 1     |
| 17 | 2147300004-0001 | Intermediate shaft   | 1     |
| 18 | 360910019       | Circlips for holes 35  | 1     |
| 19 | 3409000003-0001 | Oil plug 35*6  | 1     |

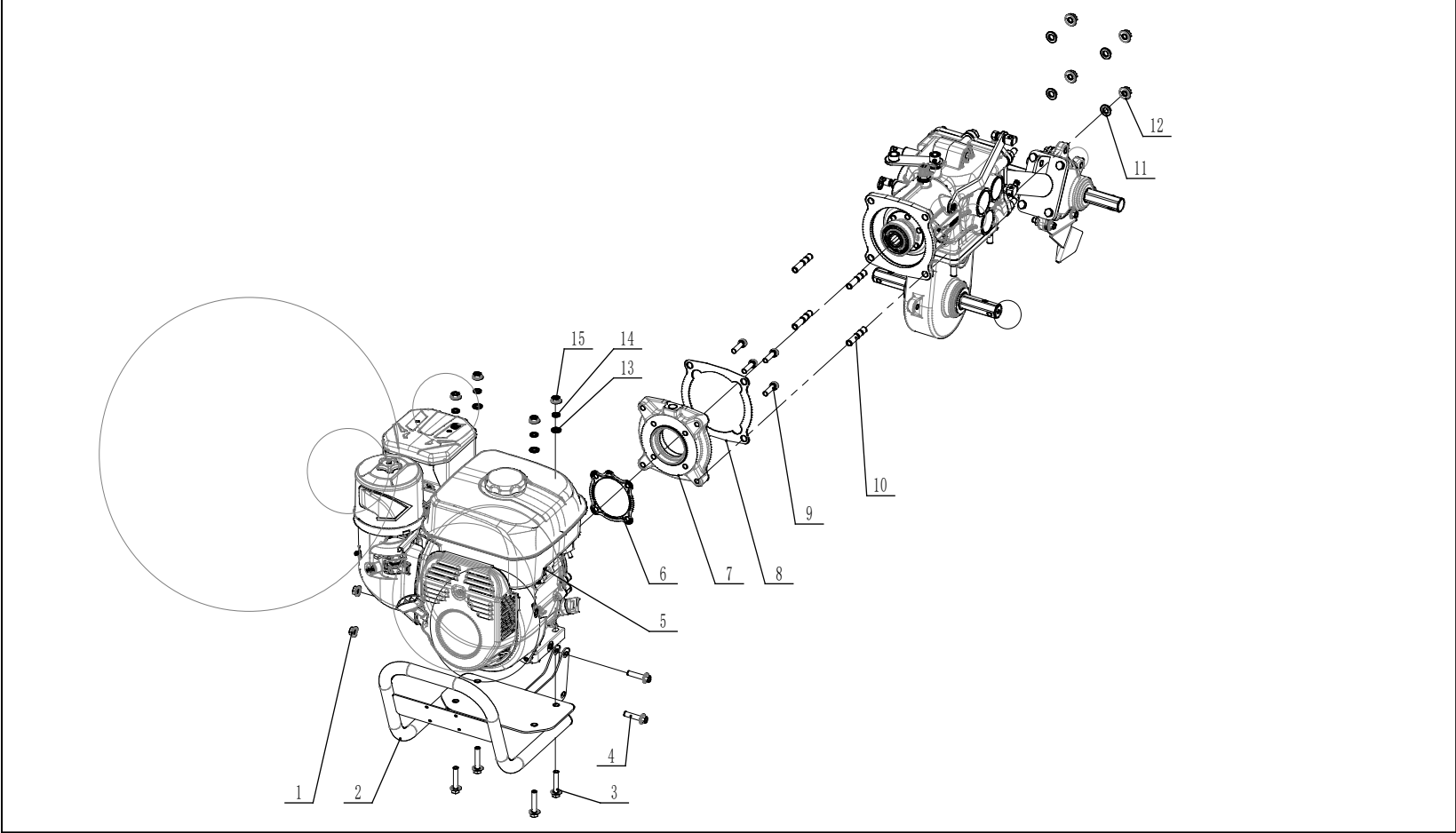


| Lp | Kod             | Nazwa   | Ilość |
|----|-----------------|---|-------|
| 1  | 360920064       | Shaft circlip 20  | 1     |
| 2  | 2110100009-0001 | Driven bevel gear   | 1     |
| 3  | 3410800210-0001 | Bushing 20.2*25*17  | 1     |
| 4  | 360750007       | Tapered Roller Bearing 32004                              | 2     |
| 5  | 2141200013-0001 | Transmission shaft  | 1     |
| 6  | 2124100005-0001 | Gearbox back cover  | 1     |
| 7  | 3400500004-0001 | Back cover gasket   | 1     |
| 8  | 2144100006-0001 | Transmission standpipe                                    | 1     |
| 9  | 360250024       | Hexagon head bolt full thread M8*20                       | 9     |
| 10 | 360620008       | Spring washer 8   | 9     |
| 11 | 360660013       | Flat Washer Class A 10                                    | 4     |
| 12 | 360620015       | Standard spring washer 10                                 | 4     |
| 13 | 360250069       | Hexagon head bolt full thread M10*30                      | 4     |
| 14 | 3401400006-0001 | Box gasket  | 1     |
| 15 | 2124300013-0001 | Cultivation box   | 1     |
| 16 | 3400100006-0001 | Non-standard gasket 10*16*2                               | 1     |
| 17 | 360290001       | Hexagon Flange Bolts Fine Thread Small Series M10*1.25*12 | 1     |
| 18 | 360070009       | Hexagonal Slotted Thin Nuts A and B Grade M8              | 1     |
| 19 | 360560021       | Split pin 1.6*20  | 1     |
| 20 | 360640005       | Large washer 8  | 1     |
| 21 | 2129800009-0001 | Drive bevel gear  | 1     |

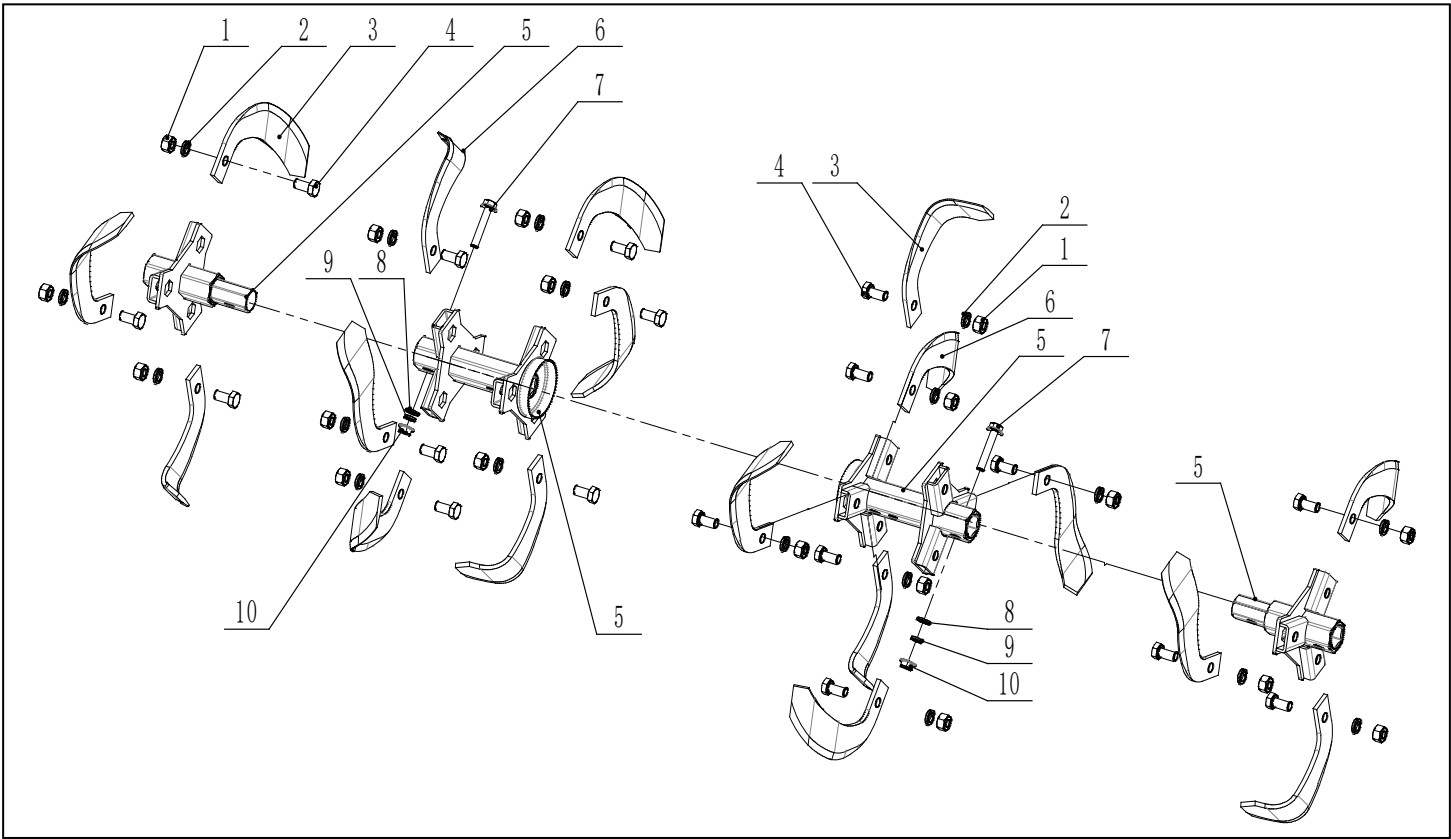
| Lp | Kod             | Nazwa                            | Ilość |
|----|-----------------|----------------------------------|-------|
| 22 | 3408800023-0001 | Oil seal 25×35×7                 | 2     |
| 23 | 360720011       | Deep groove ball bearing 6005    | 2     |
| 24 | 360920044       | Shaft circlip 25                 | 1     |
| 25 | 360920057       | Axle retaining ring 32           | 1     |
| 26 | 2110100010-0001 | Driven bevel gear                | 1     |
| 27 | 2113600031-0001 | Output shaft                     | 1     |
| 28 | 3412100047-0001 | Non-standard flat washer 25*38*2 | 2     |
| 29 | 3400900018-0001 | End cap paper gasket             | 1     |
| 30 | 2124800008-0001 | Case end caps                    | 1     |



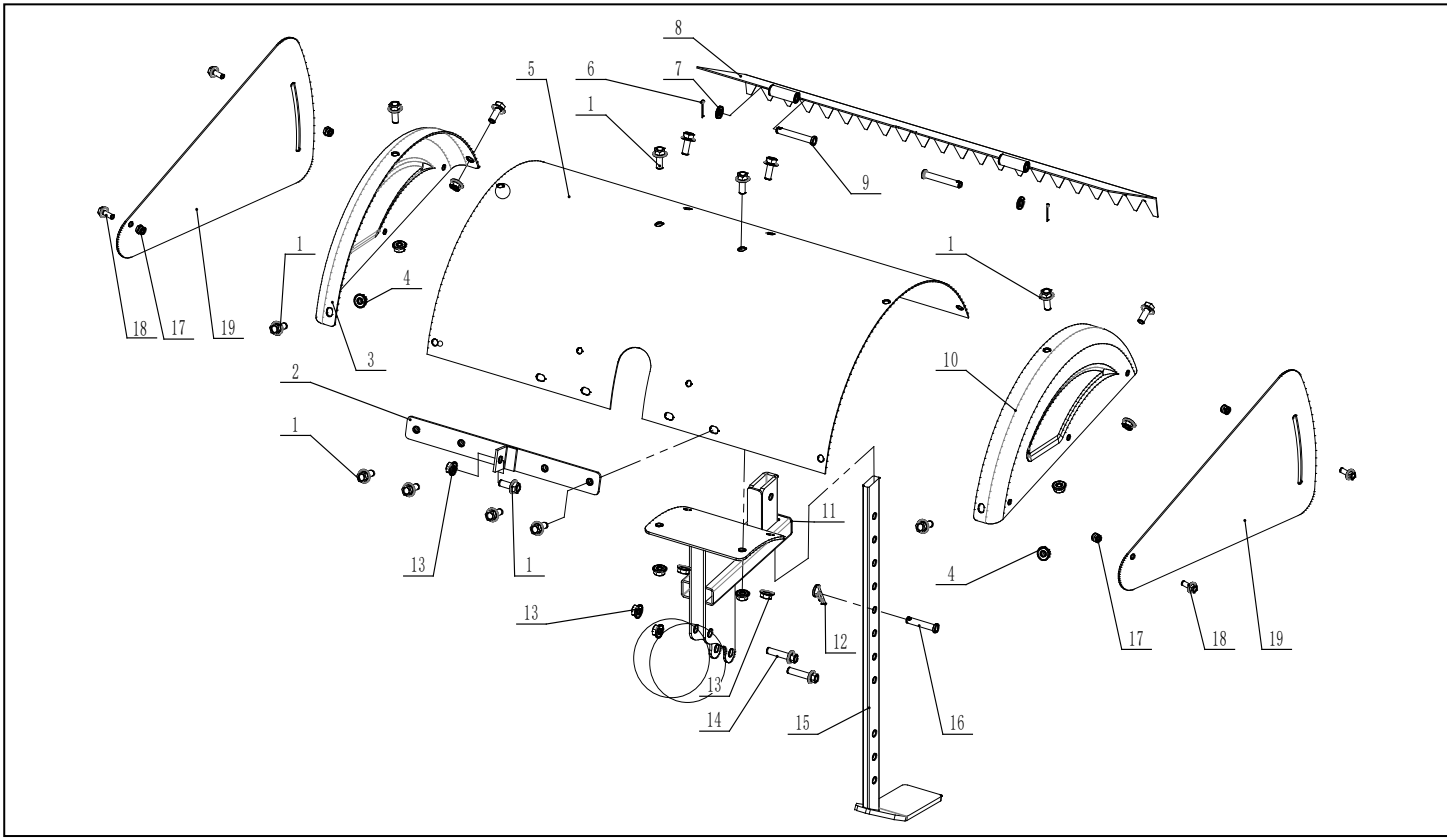
| Lp | Kod             | Nazwa                                   | Ilość |
|----|-----------------|---|-------|
| 1  | 360040009       | Type 2 Hexagon Flange Nut M8            | 8     |
| 2  |                 | Box movement                            | 1     |
| 3  |                 | Transmission parts                      | 1     |
| 4  |                 | Cultivation Box Parts                   | 1     |
| 5  | 360660013       | Flat Washer Class A 10                  | 5     |
| 6  | 360620015       | Standard spring washer 10               | 5     |
| 7  | 360010008       | Type 1 Hex Nut M10                      | 5     |
| 8  | 360220164       | Hexagon flange bolts small series M8*30 | 4     |
| 9  | 2409500007-0001 | Ground breaking shovel                  | 1     |
| 10 | 360220040       | Hexagon Flange Bolts Small Series M8*20 | 2     |
| 11 | 2401900013-0002 | Box connecting plate                    | 1     |



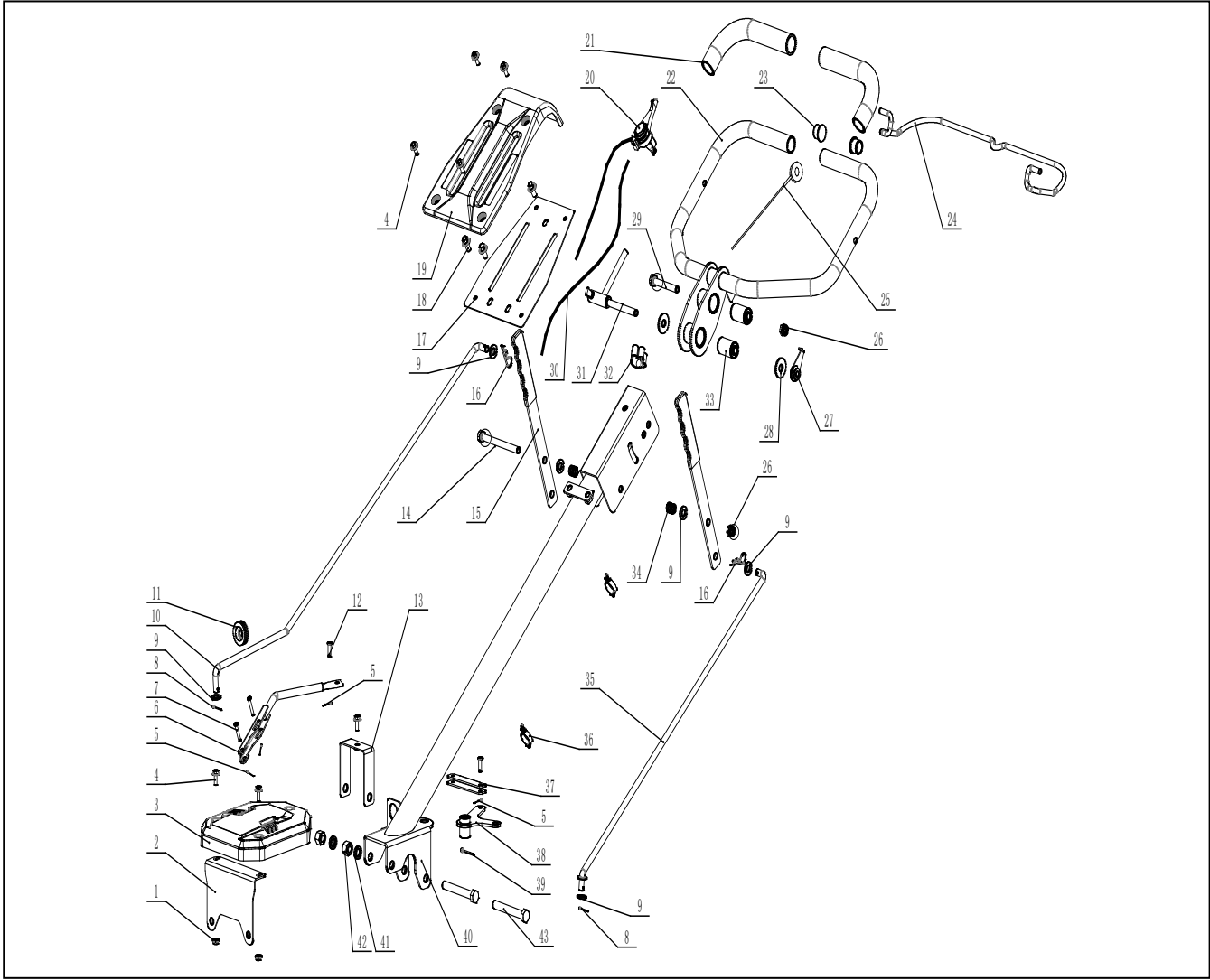
| <b>Lp</b> | <b>Kod</b>      | <b>Nazwa</b>   | <b>Ilość</b> |
|-----------|-----------------|--|--------------|
| 1         | 360040009       | Type 2 Hexagon Flange Nut M8                                   | 2            |
| 2         | 2602900070-0001 | Bumper   | 1            |
| 3         | 360220043       | Hexagon Flange Bolts Small Series M8*40                        | 4            |
| 4         | 360220067       | Hexagon Flange Bolts Small Series M8*35                        | 2            |
| 5         | T010330416      | Engine   | 1            |
| 6         | 3401100011-0001 | Power and Flange Gaskets                                       | 1            |
| 7         | 2109300030-0001 | Flange   | 1            |
| 8         | 3401600001-0001 | Flange paper pad   | 1            |
| 9         | 361280002       | Hexagon socket head cap screw and spring washer assembly M8*30 | 4            |
| 10        | 360540007       | Equal length double-ended studs grade C M10*40                 | 4            |
| 11        | 360660013       | Flat washers class A 10  | 4            |
| 12        | 360040015       | Hexagonal flange face nut M10                                  | 4            |
| 13        | 360630003       | Flat Washer Class C 8  | 4            |
| 14        | 360620008       | Standard spring washer 8                                       | 4            |
| 15        | 360010003       | Type 1 Hex Nut M8  | 4            |



| Lp | Kod             | Nazwa  | Ilość |
|----|-----------------|--|-------|
| 1  | 360010008       | Type 1 Hex Nut M10                                 | 18    |
| 2  | 360620015       | Standard spring washer 10                          | 18    |
| 3  | 2700200004-0001 | Rotary tiller blade right                          | 9     |
| 4  | 360250034       | Hexagon head bolt full thread M10*25               | 18    |
| 5  | 2706800025-0003 | Knife barrel assembly                              | 2     |
| 6  | 2700200003-0001 | Rotary tiller blade left                           | 9     |
| 7  | 360300112       | Hexagon Flange Bolts Enlarged Series B Grade M8*45 | 2     |
| 8  | 360660010       | Flat Washer A Grade 8                              | 2     |
| 9  | 360620008       | Standard spring washer 8                           | 2     |
| 10 | 360040009       | Type 2 Hexagon Flange Nut M8                       | 2     |

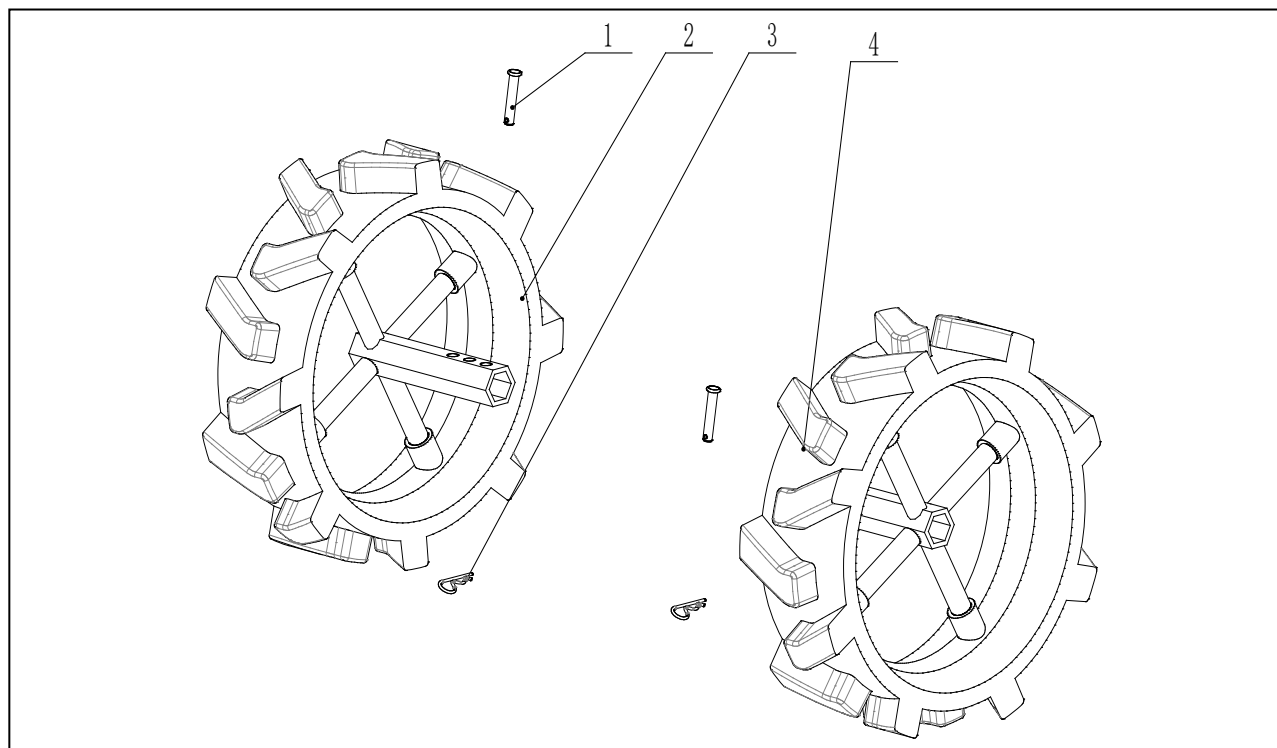


| <b>Lp</b> | <b>Kod</b>      | <b>Nazwa</b>  | <b>Ilość</b> |
|-----------|-----------------|---|--------------|
| 1         | 360220040       | Hexagon Flange Bolts Small Series M8*20             | 15           |
| 2         | 2605300018-0001 | Mudguard bracket                                    | 1            |
| 3         | 2605000010-0001 | Side mudguard right                                 | 1            |
| 4         | 360120009       | Type 1 non-metallic insert hexagonal locking nut M8 | 6            |
| 5         | 2601600189-0001 | Mudguard  | 1            |
| 6         | 360560027       | Cotter pin 2*20                                     | 2            |
| 7         | 360660010       | Flat washer class A 8                               | 2            |
| 8         | 2602500006-0001 | Rear mudguard                                       | 1            |
| 9         | 361020069       | Pin 8*55  | 2            |
| 10        | 2605000009-0001 | Side mudguard left                                  | 1            |
| 11        | 2803800013-0001 | Support bracket                                     | 1            |
| 12        | 3402200004-0002 | Clip spring B                                       | 1            |
| 13        | 360040009       | Type 2 Hexagon Flange Nut M8                        | 7            |
| 14        | 360220067       | Hexagon Flange Bolts Small Series M8*35             | 2            |
| 15        | 2401300022-0001 | Resistance bars                                     | 1            |
| 16        | 361020029       | Pin 8*43  | 1            |
| 17        | 360120005       | Type 1 non-metallic insert hex lock nut M6          | 4            |
| 18        | 360300007       | Hexagon flange bolt enlarged series B grade M6 * 16 | 4            |
| 19        | 2605000014-0001 | Side mudguard                                       | 2            |



| Lp | Kod             | Nazwa   | Ilość |
|----|-----------------|---|-------|
| 1  | 360040008       | Type 2 hexagonal flange nut M6                      | 2     |
| 2  | 2408400007-0002 | Cover front bracket                                 | 1     |
| 3  | 2603900002-0001 | Transmission cover                                  | 1     |
| 4  | 360300007       | Hexagon flange bolt enlarged series B grade M6 * 16 | 7     |
| 5  | 360560004       | Split pin 1.6 * 20                                  | 4     |
| 6  | 3010900006-0001 | Output clutch handle                                | 1     |
| 7  | 361020048       | Pin 5 × 25  | 2     |
| 8  | 360560027       | Split pin 2 * 20                                    | 2     |
| 9  | 360660013       | Flat washer Grade A 10                              | 4     |
| 10 | 2406300016-0001 | Connecting rod                                      | 1     |
| 11 | 3014000001-0001 | Armrest wear sleeve                                 | 1     |
| 12 | 361020091       | Pin shaft 6 * 20                                    | 2     |
| 13 | 2405700012-0002 | Rear bracket of cover                               | 1     |
| 14 | 360260088       | Hexagonal head bolt M10 * 100                       | 1     |
| 15 | 3014100030-0001 | shift knob  | 2     |
| 16 | 3402200004-0002 | Circlip B   | 2     |
| 17 | 2401100005-0001 | Shift plate   | 1     |
| 18 | 360220039       | Hexagon flange bolt small series M8 * 16            | 3     |
| 19 | 2605400018-0001 | Armrest cover plate                                 | 1     |
| 20 | 3022800002-0001 | Stop throttle switch combination                    | 1     |
| 21 | 3000500028-0001 | Shock-absorbing grip                                | 2     |
| 22 | 2402300173-0002 | Armrest bracket                                     | 1     |

| <b>Lp</b> | <b>Kod</b>      | <b>Nazwa</b>                                | <b>Ilość</b> |
|-----------|-----------------|---|--------------|
| 23        | 3017400008-0001 | Plug  | 2            |
| 24        | 1704900011-0001 | Joystick                                    | 1            |
| 25        | 3009200095-0001 | Clutch cable                                | 1            |
| 26        | 360120013       | Type 1 non-metallic insert hex lock nut M10 | 2            |
| 27        | 2131600001-0001 | Anti loosening bracket combination          | 1            |
| 28        | 360650011       | Large washer Class C 10                     | 2            |
| 29        | 360260090       | Hexagonal head bolt M10 * 70                | 1            |
| 30        | 3000200002-0001 | Throttle cable                              | 1            |
| 31        | 3008800002-0001 | Armrest adjustment combination              | 1            |
| 32        | 2400600001-0001 | Self-locking clamp                          | 1            |
| 33        | 2410700004-0001 | Buffer sleeve                               | 2            |
| 34        | 3406500001-0001 | Connecting rod pressure spring              | 2            |
| 35        | 2406300015-0001 | Connecting rod                              | 1            |
| 36        | 2214400002-0001 | Line card                                   | 2            |
| 37        | 2401800014-0002 | Connection block                            | 1            |
| 38        | 2401000007-0002 | Shift connecting arm                        | 1            |
| 39        | 360560026       | Split pin 3 * 30                            | 1            |
| 40        | 2401500033-0001 | Riser                                       | 1            |
| 41        | 360620029       | Standard spring washer 12                   | 2            |
| 42        | 360010014       | Type 1 hex nut M12                          | 2            |
| 43        | 360260043       | Hexagonal head bolt M12 * 90                | 2            |



| Lp | Kod             | Nazwa                    | Ilość |
|----|-----------------|--------------------------|-------|
| 1  | 361020029       | Pin 8*43                 | 2     |
| 2  | 2803200143-0001 | Walking wheel assembly R | 1     |
| 3  | 3402200004-0002 | Clip spring B            | 1     |
| 4  | 2803200144-0001 | Walking wheel assembly L | 1     |