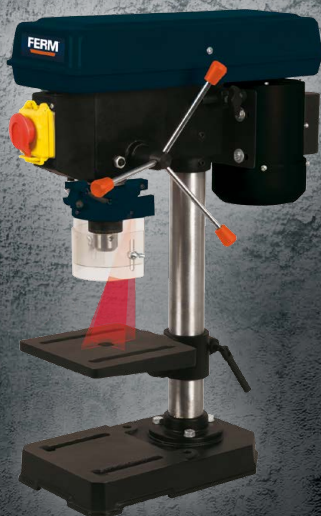


FERM®

POWER SINCE 1965

POWER BENCH PILLAR DRILL 350W



EN	Original instructions	05
DE	Übersetzung der Originalbetriebsanleitung	09
NL	Vertaling van de oorspronkelijke gebruiksaanwijzing	13
FR	Traduction de la notice originale	18
ES	Traducción del manual original	22
HR	Prevedeno s izvornih uputa	27
HU	Eredeti használati utasítás fordítása	31
CS	Překlad originálního návodu k obsluze	36

WWW.FERM.COM

FACTORY GS TESTED

CE

TDM1025



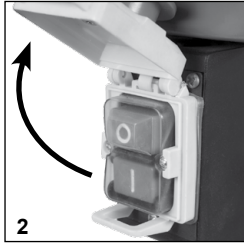
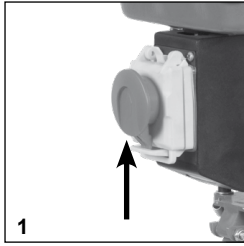


Fig. A

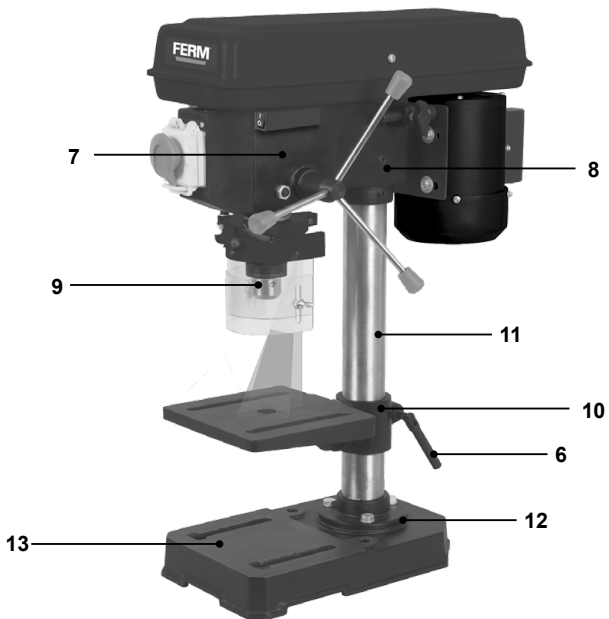
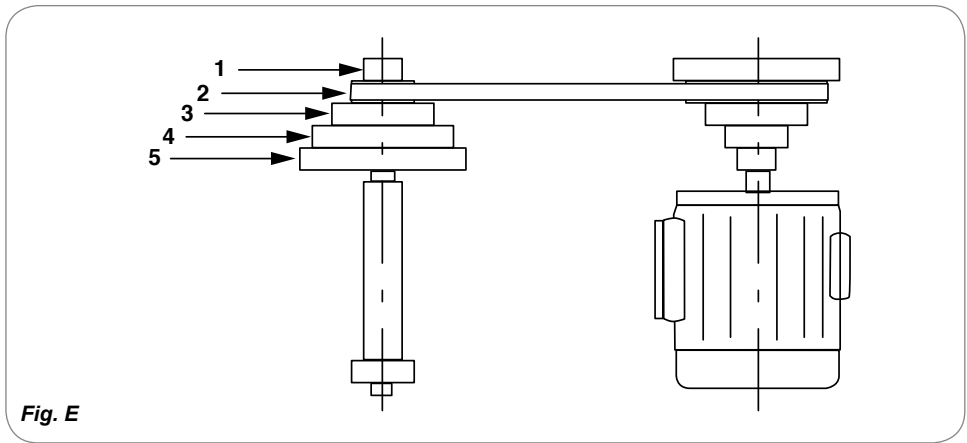
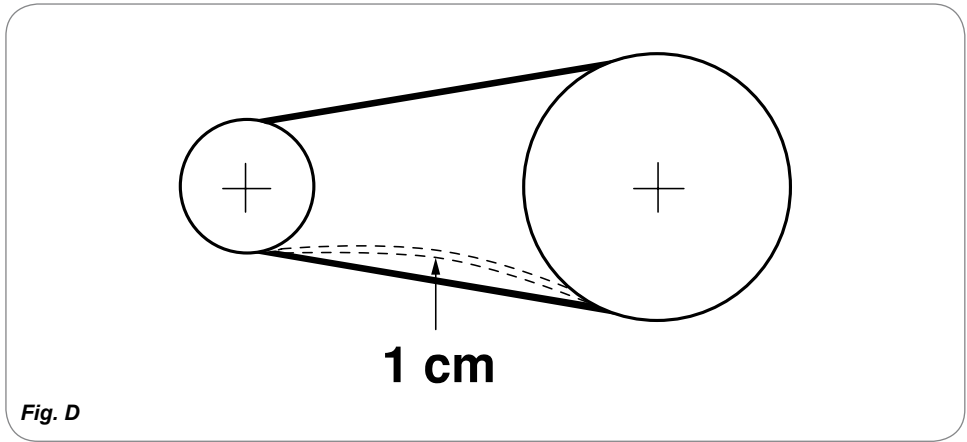
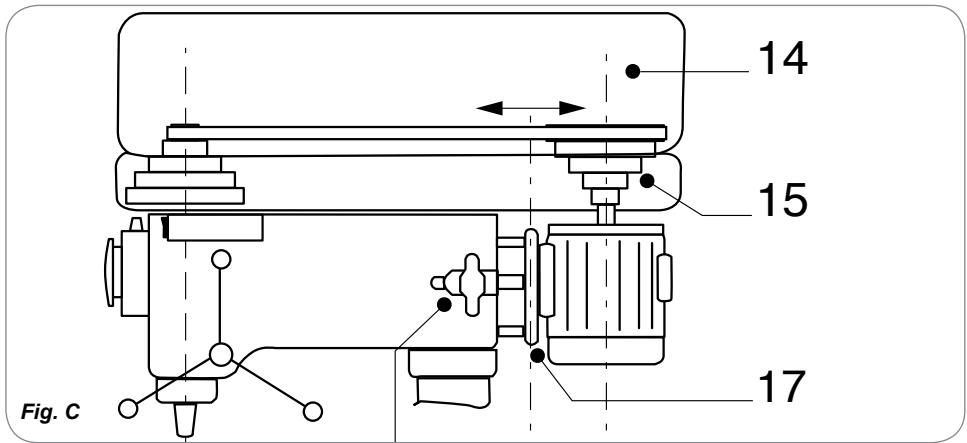
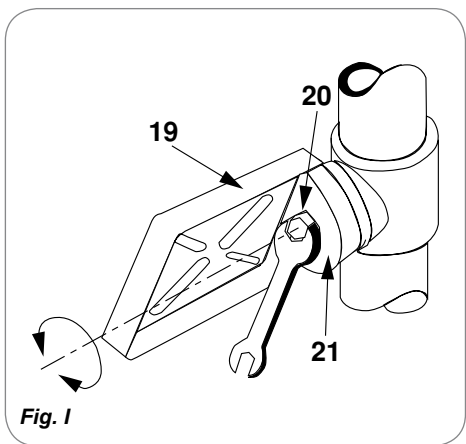
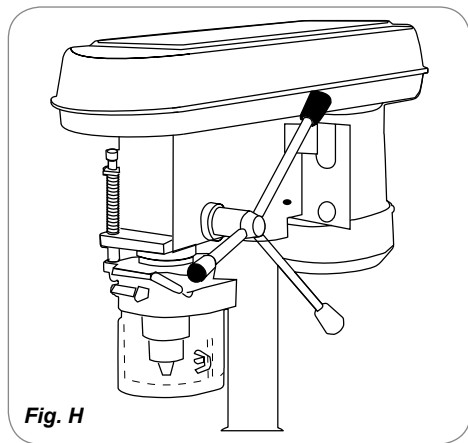
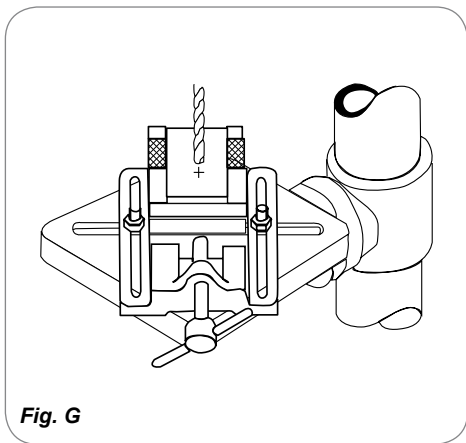
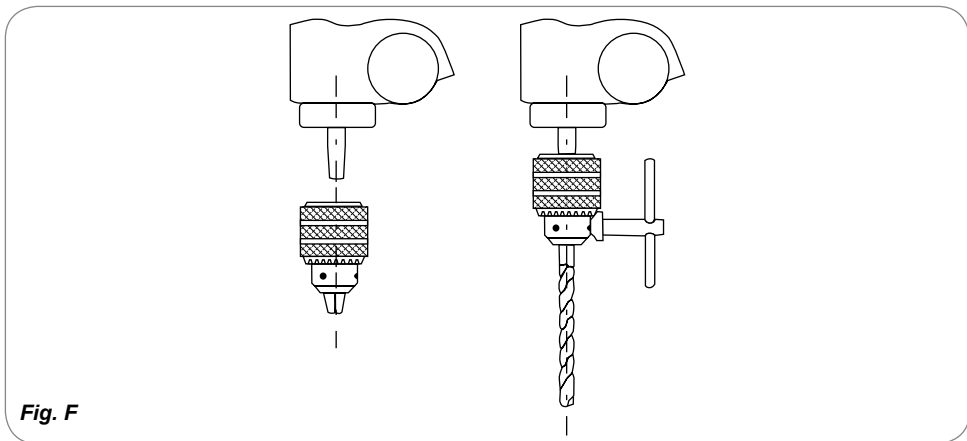


Fig. B





BENCH PILLAR DRILL

Thank you for buying this Ferm product.

By doing so you now have an excellent product, delivered by one of Europe's leading suppliers. All products delivered to you by Ferm are manufactured according to the highest standards of performance and safety. As part of our philosophy we also provide an excellent customer service, backed by our comprehensive warranty. We hope you will enjoy using this product for many years to come.

The numbers in the following text refer to the pictures on page 2 - 4



Read the operating instructions carefully before using this device. Familiarise yourself with its functions and basic operation. Service the device as per the instructions to ensure that it always functions properly. The operating instructions and the accompanying documentation must be kept in the vicinity of the device.

Contents

1. Machine information
2. Safety instructions
3. Assembly
4. Operation, hints and tips
5. Maintenance

1. Machine information

Technical specifications

Voltage	230 V~
Frequency	50 Hz
Power consumption	350 W
No load speed	580 - 2650/min
Number of speeds	5
Chuck capacity	13 mm
Weight	18 kg
Lpa (Sound pressure level)	62 dB(A) K=3
Lwa (Sound power level)	75 dB(A) K=3
Vibration	<2.5 m/s ²

Vibration level

The vibration emission level stated in this instruction manual has been measured in accordance with a standardised test given in EN 61029; it may be used to compare one tool with another and as a preliminary assessment of exposure to vibration when using the tool for the applications mentioned.

- using the tool for different applications, or with different or poorly maintained accessories, may significantly increase the exposure level.
- the times when the tool is switched off or when it is running but not actually doing the job, may significantly reduce the exposure level.

Protect yourself against the effects of vibration by maintaining the tool and its accessories, keeping your hands warm, and organizing your work patterns.

Product information

Fig. A

1. On/off switch
2. Drill depth gauge
3. Protection guard
4. Motor
5. Drill depth lever
6. Table adjustment
7. On/off switch for laser
8. Laser

Check first whether or not the delivery has been damaged by transport and/or whether all the parts are present.

2. Safety instructions

Explanation of symbols

The following pictograms are used in these instructions for use:



Denotes risk of personal injury, loss of life or damage to the tool in case of non-observance of the instructions in this manual.



Indicates the presence of an electrical voltage.



Immediately unplug the plug from the mains electricity in the case that the cord gets damaged and during maintenance.



Keep bystanders away.



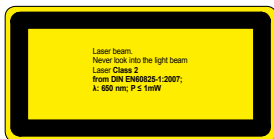
Caution: Laser beam! Do not look directly into the laser beam. Do not point the laser beam at humans or animals.



Wear eye and ear protection.

During use the following points must be considered:

- Do not remove any mechanical or electrical protective provisions.
- Check whether all the protective provisions are in place and have been attached correctly.
- Wear safety goggles during drilling.
- If you have long hair, be sure to wear hair protection (hair net or cap). Long hair can easily be caught in moving parts.
- Wear fitted clothing; tie buttons on sleeves.
- Do not hold any workpieces in your hands when drilling. Always use a machine clamp or another clamping tool.
- Protect workpieces and clamping tools on the bench to prevent them from getting caught. Fasten them yourself with screws or clamp them to a machine clamp fastened to the table.
- Check whether the drill holder is tightened properly.
- Check whether cable lead-throughs are okay.
- To remove drill chips only use hand brushes, brushes, rubber wipers, chip hooks or similar aids.
- Do not carry out any cleaning or greasing work while the machine is in operation.
- Always keep V-belts covered (so that your hands cannot become caught).
- Only tighten the toothed ring drill holder by means of the wrench.
- Never leave the wrench of the drill holder in the drill holder! Before switching on the machine, check whether the wrench really has been removed!
- Do not use any drills which are damaged on the shank.
- Drill is not suitable to use as press!
- If the mains cable is damaged, it may only be replaced by a mains cable of the same type.



Additional safety warnings for lasers

- Do not look directly into the laser beam.
- Do not point the laser beam humans or animals.

- Do not point the laser beam at strongly reflecting material.
- Do not insert hard objects into the laser optics.
- Clean the laser optics with a soft, dry brush.
- Only have the laser repaired by a qualified technician.

Immediately switch off the machine when:

- Interruption in the mains plug, mains lead or mains lead damage.
- Defect switch.
- Smoke or stench of scorched isolation.

Electrical safety

When using electric machines always observe the safety regulations applicable in your country to reduce the risk of fire, electric shock and personal injury. Read the following safety instructions and also the enclosed safety instructions.



Always check that the power supply corresponds to the voltage on the rating plate.



The machine is provided with a zero voltage switch. After the tension drops the machine will not start to run automatically for safety reasons. The machine must be switched on again.

Replacing cables or plugs

Immediately throw away old cables or plugs when they have been replaced by new ones. It is dangerous to insert the plug of a loose cable in the wall outlet.

Using extension cables

Only use an approved extension cable suitable for the power input of the machine. The minimum conductor size is 1.5 mm². When using a cable reel always unwind the reel completely.

3. Assembly

Fig. B

- Place the footplate (13) in the correct position.
- Fasten the column (11) with the bolts supplied (12) to the footplate.
- Now slide the table holder (10) with the table over the column (11). With the fastening handle (6) the table is fastened into the desired position.
- Now you can assemble the machine casing (7) and lock with the locking pins (8).

- Since the drill spindle is greased in the factory, it is advisable to run in the machine for approximately 15 minutes at the lowest speed.



Before you push the chuck with pin (9) into the drill spindle, the inside of the chuck must be completely grease-free!

Setting up the bench drill

Before use the drill must be mounted on a fixed base. The footplate (13) has therefore been provided with drilling holes. By means of screws the footplate can be fixed to the base in this place. If it is mounted on a wooden board, sufficiently large washers must be used on the opposite side, so that the bolts are not pushed into the wood and the machine cannot become loose.



The fastening screws may be fastened so far that the footplate is not under tension or deformed. When the tension is too high there is a risk of breakage.

Adjusting the number of revolutions of the drill spindle

Fig. C

The different revolutions of the drill spindle can be adjusted by shifting the V-belt into the belt drive. The machine is protected by a safety switch so that the machine is automatically switched off when opening the casing. The V-belt is shifted as follows:

- Open the V-belt cover (14) by loosen the screw on the right side of the cover.
- Loosen the fastening button (18) and slide the engine in the direction of the machine head, upon which the V-belt is released.
- Shift the V-belt according to the table on the inside of the V-belt cover.
- Tension the V-belt again by pushing the engine plate (17) to the back. Then the tensioning device is fastened with the fastening button (18).
- Close the V-belt cover and the machine is ready again for use.



Keep the V-belt cover closed during use.

Fig. C & D

If you have shifted the V-belt, you must tighten it again by means of the engine plate (17) with the fastening button (18). The tension is correct when

the V-belt can be pressed in by approximately 1 cm. The engine pulley must be aligned horizontally, so that early wear and loosening of the V-belt can be prevented. For this purpose the engine pulley (15) on the engine can be slid along the engine axle, after loosening the socket head screw.

Spindle speeds

Fig. E

Position V-belt	Revolutions/min
1	2650
2	1650
3	1220
4	850
5	580

The number of revolutions of the drill spindle of the V-belt combinations can be read from the illustration and the table.

Drill spindle and drill head pin

All the blank parts of the machine are provided with a protective lacquer layer, which prevents rust formation. This protective lacquer layer is easy to remove by means of environmentally friendly solvents. Test the V-belt tension before you connect the machine to the electricity mains. The inside of the drill spindle must be degreased completely. For this purpose use environmentally friendly solvents. Proceed in the same way with the drill head pin. A correct transmission can only be achieved in this way.

4. Operation, hints and tips

Depth stop

The drill spindle is provided with a depth stop. It can be adjusted using the nut. The drill depth can be read on the scale division.

Clamping the drill

Fig. F

In the drill head of the bench drill, drills and other tools with a cylindrical shank can be clamped. The moment of rotation is transferred to the drill by means of the tension of the three clamping jaws. To prevent the drill from sliding away, it must be clamped using the toothed ring wrench. If the drill slides away in the drill holder, a slight burr occurs on the drill shank, which makes centric clamping impossible. A burr which occurs in this way must in any case be removed by grinding.

Clamping the workpiece

Fig. G

The drill bench and the footplate of the bench drill are provided with grooves for fastening clamping tools. Always clamp the workpiece in the machine clamp or other clamping tools. In this way you will prevent accidents and even increase the drilling accuracy because the workpiece is in a fixed position.

Adjusting the bench

Fig. H

The drill bench is fastened to the drill column and can be adjusted in height after loosening the fastening handle. Adjust the bench in such a way that there is still enough space between the top of the workpiece and the point of the drill. You can also swivel the bench sideways, if you wish to clamp a workpiece directly onto the footplate.

Fig. I

For slanted drilling and with a slanted supporting surface of the workpiece the bench can be swivelled. For this purpose loosen the hexagonal screw (20) on the hinge point (21) of the bench and remove the centring. Swivel the bench (19) to the desired position. Then screw down the hexagonal screw (20) properly using a wrench.

Number of revolutions, speed of rotation, supply
The supply - the feed motion of the drill - takes place by hand on the 3-armed drill lever. The speed of rotation is determined by the number of revolutions of the drill spindle and by the diameter of the drill. The correct choice of supply and the number of revolutions of the drill spindle are the deciding factors for the lifespan of the drill. The following applies as a basic rule: with a larger diameter of the drill the number of revolutions must be adjusted lower; the greater the firmness of the workpiece, the greater the cutting pressure must also be.

In order not to overheat the drill in this case, the supply and speed of rotation must be lowered at the same time. In addition, the drill must be cooled with drill oil. For thin plates, quite large drillings must be carried out carefully with little supply and little cutting pressure, so as to get a precise result and so that the drilling remains the correct size. For deep drilling (larger than 2 x the diameter of the drill) the discharge of chips is more difficult and the temperature of the drill is higher. Therefore lower the supply and the number of revolutions and ensure a better discharge of chips by regularly

pulling back the drill. For drilling with a greater diameter than 8 mm, pre-drilling must take place, so that early wear of the drill - main cutting edge can be avoided and so that the drilling point is not too heavily loaded.

Using the laser (fig. A)

- To switch on the laser (8), press the on/off switch (7).
- To switch off the laser (8), release the on/off switch (7).

5. Maintenance



Make sure that the machine is not live when carrying out maintenance work on the motor.

This machine has been designed to operate over a long period of time with a minimum of maintenance. Continuous satisfactory operation depends upon proper machine care and regular cleaning.

Cleaning

Keep the ventilation slots of the machine clean to prevent overheating of the engine. Regularly clean the machine housing with a soft cloth, preferably after each use. Keep the ventilation slots free from dust and dirt. If the dirt does not come off use a soft cloth moistened with soapy water. Never use solvents such as petrol, alcohol, ammonia water, etc. These solvents may damage the plastic parts. Please clean the tool immediately after use.

Lubrication

Every bearing in the drill press has been pre-lubricated in the factory. Further lubrication is unnecessary. From time to time, you should grease the racks and pinions, the table lifting mechanism, the spindle and the splines of the hollow shaft. Open the drive belt guard and squirt a little oil onto the spindle shaft. Do not allow any oil to touch the drive belt!

Faults

Should a fault occur, e.g. after wear of a part, please contact the service address on the warranty card. In the back of this manual you find an exploded view showing the parts that can be ordered.

Environment

To prevent damage during transport, the appliance

is delivered in a solid packaging which consists largely of reusable material. Therefore please make use of options for recycling the packaging.



Damaged and/or disposed of electrical or electronic devices must be dropped off at recycling stations intended for that purpose.

Warranty

Read the warranty conditions on the separately supplied warranty card.

The product and the user manual are subject to change. Specifications can be changed without further notice.

TISCHBOHRMASCHINE

Vielen Dank für den Kauf dieses Ferm Produkts.

Hiermit haben Sie ein ausgezeichnetes Produkt erworben, dass von einem der führenden Lieferanten Europas geliefert wird. Alle von Ferm an Sie gelieferten Produkte sind nach den höchsten Standards von Leistung und Sicherheit gefertigt. Teil unserer Firmenphilosophie ist es auch, Ihnen einen ausgezeichneten Kundendienst anbieten zu können, der von unserer umfassenden Garantie unterstützt wird. Wir hoffen, dass Sie viele Jahre Freude an diesem Produkt haben.

Die Zahlen im nachstehenden Text entsprechen den Abbildungen auf Seite 2 - 4



Lesen Sie diese Bedienungsanleitung aufmerksam, bevor Sie die Maschine in Betrieb nehmen. Machen Sie sich mit der Funktionsweise und der Bedienung vertraut. Warten Sie die Maschine entsprechend der Anweisungen, damit sie immer einwandfrei funktioniert. Die Betriebsanleitung und die dazugehörige Dokumentation müssen in der Nähe der Maschine aufbewahrt werden.

Inhalt

1. Gerätedaten
2. Sicherheitsvorschriften
3. Montage
4. Gebrauch, Hinweise und Tips
5. Wartung

1. Gerätedaten

Technische Daten

Spannung	230 V~
Frequenz	50 Hz
Aufgenommene Leistung	350 W
Leerlaufdrehzahl	580 - 2650/min
Anzahl Geschwindigkeiten	5
Kapazität Bohrfutter	13 mm
Gewicht	18 kg
Lpa (Schalldruckpegel)	62 dB(A) K=3
Lwa (Schalleistungspegel)	75 dB(A) K=3
Vibrationswert	<2.5 m/s ²

Vibrationsstufe

Die in dieser Bedienungsanleitung angegebene Vibrationsemissionsstufe wurde mit einem

standardisierten Test gemäß EN 61029 gemessen; Sie kann verwendet werden, um ein Werkzeug mit einem anderen zu vergleichen und als vorläufige Beurteilung der Vibrationsexposition bei Verwendung des Werkzeugs für die angegebenen Anwendungszwecke.

- die Verwendung des Werkzeugs für andere Anwendungen oder mit anderem oder schlecht gewartetem Zubehör kann die Expositionsstufe erheblich erhöhen.
- Zeiten, zu denen das Werkzeug ausgeschaltet ist, oder wenn es läuft aber eigentlich nicht eingesetzt wird, können die Expositionsstufe erheblich verringern.

Schützen Sie sich vor den Auswirkungen der Vibration durch Wartung des Werkzeugs und des Zubehörs, halten Sie Ihre Hände warm und organisieren Sie Ihren Arbeitsablauf.

Produktinformation

Abb. A

1. Ein/aus schalter
2. Bohrtiefenanzeige
3. Bohrfutterschutzkappe
4. Motor
5. Bohrtiefenhebestange
6. Tischverstellung
7. Ein-/Aus-Schalter für Laser
8. Laser

Prüfen Sie die Maschine, die losen Teile und Zubehörteile auf Transportschäden.

2. Sicherheitsvorschriften

Erläuterung der Symbole

In dieser Betriebsanleitung erscheinen folgende Piktogramme:



Lebens- und Verletzungsgefahr und Gefahr von Beschädigungen am Gerät bei Nichteinhaltung der Sicherheitsvorschriften in dieser Anleitung.



Deutet das Vorhandensein elektrischer Spannung an.



Ziehen Sie, falls das Kabel beschädigt wird und auch während Wartungsarbeiten, sofort den Netzstecker.



Umstehende fernhalten.



Vorsicht: Laserstrahl! Schauen Sie nicht direkt in den Laserstrahl. Richten Sie den Laserstrahl nicht auf Personen oder Tiere.



Schutzbrille und Gehörschutz tragen.

Während des Betriebs sind folgende Punkte zu beachten:

- Keine mechanischen oder elektrischen Schutzvorrichtungen entfernen.
- Prüfen, ob alle Schutzvorrichtungen angebracht und einwandfrei befestigt sind.
- Beim Bohren Schutzbrille tragen.
- Bei langen Haaren unbedingt Haarschutz tragen (Haarnetz oder Mütze). Langes Haar bleibt leicht an drehenden Teilen hängen!
- Enganliegende Kleidung tragen; Bund am Jackenärmel schließen.
- Keine Werkstücke beim Bohren in der Hand halten. Verwenden Sie stets einen Maschinenschraubstock oder ein anderes Spannwerkzeug.
- Werkstücke und Spannwerkzeuge auf dem Tisch gegen Mitreißen sichern. Diese entweder selbst mit Schrauben befestigen oder in einem auf dem Tisch festgeschraubten Maschinenschraubstock einspannen.
- Prüfen, ob das Bohrfutter einwandfrei spannt.
- Prüfen, ob die Kabeleinführungen in Ordnung sind.
- Zum Entfernen der Bohrspäne nur Handfeger, Pinsel, Gummiwischer, Spänehaken oder ähnliche Hilfsmittel verwenden.
- An laufenden Maschinen keine Reinigungs- und Schmierarbeiten durchführen.
- Keilriemen immer abgedeckt halten (Schutz gegen Hineingreifen)
- Zahnkranzbohrfutter nur mit dem Schlüssel anziehen.
- Bohrfutterschlüssel niemals im Bohrfutter stecken lassen! Vergewissern Sie sich vor dem Einschalten der Maschine, daß der Schlüssel abgezogen wurde!
- Keine am Schaft beschädigten Bohrer oder Werkstücke verwenden.

- Die Bohrmaschine ist für Fräsarbeiten nicht geeignet!
- Bei der Beschädigung der Anschlußleitung darf nur durch die gleiche Spezialleitung ersetzt werden.

entspricht. Die Ader müssen einen Mindestquerschnitt von 1,5 mm² haben. Befindet das Kabel sich auf einem Haspel, muß es völlig abgerollt werden.

Zusätzliche Sicherheitshinweise für Laser

- Schauen Sie nicht direkt in den Laserstrahl.
- Richten Sie den Laserstrahl nicht auf Personen oder Tiere.
- Richten Sie den Laserstrahl nicht auf stark reflektierende Materialien.
- Stecken Sie keine harten Gegenstände in die Laseroptik.
- Reinigen Sie die Laseroptik mit einer weichen trockenen Bürste.
- Lassen sie den Laser nur von einem qualifizierten Techniker reparieren.

Das Gerät sofort ausschalten bei:

- Störung im Netzstecker, dem Netzkabel oder Schnurbeschädigung.
- Defektem Schalter.
- Rauch oder Gestank verschmorter Isolation.

Elektrische Sicherheit

Beachten Sie beim Benutzen von Elektromaschinen immer die örtlichen Sicherheitsvorschriften bezüglich Feuerrisiko, Elektroschock und Verletzung. Lesen Sie außer den folgenden Hinweisen ebenfalls die Sicherheitsvorschriften im einschlägigen Sonderteil.



Überprüfen Sie immer, ob Ihre Netzspannung der des Typenschildes entspricht.



Bei einem Spannungsabfall im Steuerstromkreis fallen die Wendschütze ab. Auch wenn danach die Spannung wieder anliegt, läuft aus Sicherheitsgründen die Maschine nicht mehr selbständig an. Sie muß erneut eingeschaltet werden.

Austauschen von Kabeln oder Steckern

Entsorgen Sie alte Kabel oder Stecker, unmittelbar nachdem Sie durch neue ersetzt sind. Das Anschließen eines Steckers eines losen Kabels an eine Steckdose ist gefährlich.

Verwendung von Verlängerungskabeln

Benutzen Sie nur ein genehmigtes Verlängerungskabel, das der Maschinenleistung

3. Montage

Abb. B

- Legen Sie sich die Grundplatte (13) der Maschine zurecht.
- Befestigen Sie die Säule (11) mit den beiliegenden Bolzen (12) auf der Grundplatte (13).
- Schieben Sie nun den Bohrtischhalter (10) mit dem Bohrtisch über die Säule (11). Mit der Klemmschraube (6) wird die Baugruppe in der gewünschten Lage arretiert.
- Nun können Sie das Maschinengehäuse (7) montieren und mit den Gewindestiften (8) sichern.
- Da die Spindel werkseitig stark eingefettet wird, ist es ratsam, die Maschine ca 15 Minuten im kleinsten Gang einlaufen zu lassen.



Bevor Sie das Bohrfutter (9) auf die Spindel stecken, müssen Aufnahme und Dorn vollkommen fettfrei sein!

Aufstellen der Tischbohrmaschine

Vor der Inbetriebnahme ist die Bohrmaschine fest auf einer Arbeitsplatte zu montieren. Dazu besitzt die Grundplatte (13) Bohrungen. Dort ist die Grundplatte mit der Arbeitsplatte durch Schrauben fest zu verbinden. Erfolgt die Befestigung auf einer Holzplatte, so werden auf der Gegenseite ausreichend große Beilagscheiben verwendet, damit sich die Muttern nicht im Holz eindrücken, und sich die Maschine nicht lockert.



Die Befestigungsschrauben dürfen nur so angezogen werden, daß sich die Grundplatte nicht verspannt oder verformt. Beim übermäßiger Beanspruchung besteht die Gefahr eines Bruches.

Einstellen verschiedener Spindeldrehzahlen

Abb. C

Die verschiedenen Spindeldrehzahlen können durch Umsetzen des Keilriemens im Riemenantrieb eingestellt werden. Dazu ist die Maschine abzuschalten, und der Netzstecker zu

ziehen. Das Umsetzen des Keilriemens geschieht folgendmaßen:

- Vor dem Öffnen des Keilriemengehäuses (14) Netzstecker ziehen!
- Feststellschraube (18) lösen und den Motor in Richtung Maschinenkopf (17) schieben; dadurch entspannt sich der Keilriemen.
- Keilriemen gemäß der Tabelle auf der Innenseite des Keilriemendeckels umsetzen.
- Keilriemen wieder spannen, indem Sie den Motorplatte (17) nach hinten drücken. Anschließend wird die Spannvorrichtung mit der Feststellschraube (18) geklemmt.
- Keilriemengehäuse schließen und den Netzstecker einstecken. Die Maschine ist wieder betriebsbereit.



Deckel des Keilriemengehäuses beim Betriebstest geschlossen halten.

Abb. C & D

Die Spannung ist richtig eingestellt, wenn sich der Keilriemen etwa 1 cm durchdrücken läßt. Die Keilriemenscheiben müssen horizontal fluchten, damit der vorzeitige Verschleiß und das Herunterspringen des Keilriemens verhindert wird. Dazu kann die Keilriemenscheibe (15) am Motor nach Lösen des Gewindestiftes längs der Motorwelle verschoben werden.

Spindeldrehzahlen

Abb. E

Keilriemenposition	Drehzahl/min
1	2650
2	1650
3	1220
4	850
5	580

Die Spindeldrehzahlen und Keilriemenkombinationen können der Abbildung und der Tabelle entnommen werden.

Spindel und kegeldorn

Alle blanken Teile der Maschine sind mit einem Schutzlack versehen, der die Korrosion verhindert. Dieser Schutzlack läßt sich leicht mit umweltfreundlichen Lösungsmitteln entfernen. Prüfen Sie die Keilriemenspannung, bevor Sie die Maschine am Stromnetz anschließen. Der Innenkonus des Bohrfutters muß vollkommen entfettet werden. Verwenden Sie dazu umweltfreundliche Lösungsmittel. Verfahren Sie

ebenso mit dem Kegeldorn der Spindel. Nur so ist eine einwandfreie Kraftübertragung zu erreichen.

4. Gebrauch, Hinweise und Tips

Tiefenanschlag

Die Bohrspindel besitzt einen Tiefenanschlag. Zur Einstellung dient die Mutter An dem Skalenzeiger kann die Bohrtiefe abgelesen werden.

Einspannen des Bohres

Abb. F

Im Bohrfutter der Tischbohrmaschine können Bohrer und andere Werkzeuge mit zylindrischem Schaft gespannt werden. Das Drehmoment wird durch die Spannkraft der drei Spannbacken auf den Bohrer übertragen. Der Bohrer ist - um ein Durchrutschen zu verhindern - mit Hilfe des Zahnkransschlüssels festzuklemmen. Beim Durchrutschen des Bohrers im Spannfutter entsteht am Bohrer Schaft sehr leicht ein Grat, der ein zentrisches Spannen unmöglich macht. Ein so entstandener Grat muß in jedem Fall durch Schleifen entfernt werden.

Einspannen des Werkstückes

Abb. G

Der Bohrtisch und die Grundplatte der Tischbohrmaschine sind mit Bolzen zur Befestigung von Spannwerkzeugen ausgestattet. Spannen Sie das Werkstück immer im Maschinenschraubstock oder anderen Spannwerkzeugen fest. Sie vermeiden dadurch Unfallgefahren und erhöhen sogar die Bohrgenauigkeit, da das Werkstück nicht "schlägt".

Tischverstellung

Abb. H

Der Bohrtisch ist an der Bohrsäule befestigt und kann nach Lösen des Klemmhebels in der Höhe verstellt werden. Stellen Sie den Tisch so ein, daß zwischen Werkstückoberkante und Bohrer Spitze genügend Abstand bleibt. Den Tisch können Sie auch zur Seite ausschwenken, wenn Sie ein Werkstück direkt auf die Grundplatte spannen wollen.

Abb. I

Für schräge Bohrungen und bei schräger Auflagefläche des Werkstückes kann der Tisch (19) geschwenkt werden. Lösen Sie dazu die Sechskantschraube (20) am Drehgelenk des Tisches und entfernen Sie die Zentrierung (21). Schwenken Sie den Tisch in die gewünschte Lage.

Nun wird mit einem Gabelschlüssel die Sechskantschraube (20) wieder fest angezogen. Beim Zurückstellen des Tisches (19) wird die Arretierungsmutter mit dem Bolzen (20) zur waagerechten Zentrierung wieder eingesetzt.

Drehzahl, Schnittgeschwindigkeit, Vorschub
Der Vorschub - die Zustellung des Bohres - erfolgt von Hand am 3-armigen Bohrhebel. Die Schnittgeschwindigkeit wird durch die Drehzahl der Bohrspindel und durch den Bohrdurchmesser bestimmt. Die richtige Wahl des Vorschubes und Spindeldrehzahl sind für die Standzeit des Bohrers ausschlaggebend. Als Grundregel gilt: bei zunehmendem Bohrerdurchmesser muß die Drehzahl herabgesetzt werden; je größer die Festigkeit des Werkstückes ist, umso größer muß auch der Schneiddruck sein. Damit sich der Bohrer dabei nicht übermäßig erwärmt, müssen gleichzeitig Vorschub und Schnittgeschwindigkeit herabgesetzt werden. Außerdem sollte der Bohrer mit Bohröl gekühlt werden. Bei Feinblechen müssen größere Bohrungen vorsichtig mit geringem Vorschub und Schneiddruck ausgeführt werden, damit der Bohrer nicht "hackt" und die Bohrung maßhaltig bleibt. Bei tiefen Bohrungen (größer als 2x Bohrerdurchmesser) ist die Spanabfuhr beschwert und die Erwärmung des Bohrers größer. Setzen Sie auch hier Vorschub und Drehzahl herab und sorgen Sie durch wiederholtes Zurückziehen des Bohrers für eine bessere Spanabfuhr. Bei Bohrungen über 8 mm Durchmesser sollte vorgebohrt werden, damit die vorzeitige Abnutzung der Bohrer-Haupt-schneide vermieden wird und die Bohrspitze nicht zu stark belastet wird.

Verwendung des Lasers (Abb. A)

Der Laser wird verwendet, um den Schnitt auf die Wand zu projizieren.

- Um den Laser (8) einzuschalten, drücken Sie auf den Ein-/Aus-Schalter (7).
- Um den Laser (8) auszuschalten, lassen Sie den Ein-/Aus-Schalter (7) los.

5. Wartung



Trennen Sie die Maschine vom Netz, wenn Sie am Mechanismus Wartungsarbeiten ausführen müssen.

Diese Maschinen sind so konzipiert, dass sie lange Zeit bei minimalem Wartungsaufwand problemlos funktionieren. Durch regelmäßiges Reinigen und

sachgerechte Behandlung verlängern Sie die Lebensdauer Ihrer Maschine.

Reinigen

Reinigen Sie das Maschinengehäuse regelmäßig mit einem weichen Tuch, vorzugsweise nach jedem Einsatz. Halten Sie die Lüfterslitze frei von Staub und Schmutz.

Entfernen Sie hartnäckigen Schmutz mit einem weichen Tuch, angefeuchtet mit Seifenwasser. Verwenden Sie keine Lösungsmittel wie Benzin, Alkohol, Ammonia, usw. Derartige Stoffe beschädigen die Kunststoffteile.

Schmierung

Jedes Lager der Bohrmaschine wurde im Herstellerwerk vorgeschmiert. Weiteres Schmieren ist nicht erforderlich. Von Zeit zu Zeit sollten Sie die Zahnräder und Zahnstangen, den Hebemechanismus des Bohrtisches, die Spindel und die Verzahnung der Hohlspindel schmieren. Öffnen Sie die Antriebsriemen-Abdeckung und geben Sie etwas Öl auf die Spindelwelle. Es darf kein Öl auf den Antriebsriemen kommen!

Störungen

Sollte beispielsweise nach Abnutzung eines Teils ein Fehler auftreten, dann setzen Sie sich bitte mit der auf der Garantiekarte angegebenen Serviceadresse in Verbindung. Im hinteren Teil dieser Anleitung befindet sich eine ausführliche Übersicht über die Teile, die bestellt werden können.

Umwelt

Um Transportschäden zu verhindern, wird die Maschine in einer soliden Verpackung geliefert. Die Verpackung besteht weitgehend aus verwertbarem Material. Benutzen Sie also die Möglichkeit zum Recyclen der Verpackung.



Schadhafte und/oder entsorgte elektrische oder elektronische Geräte müssen an den dafür vorgesehenen Recycling-Stellen abgegeben werden.

Garantie

Lesen Sie die Garantiebedingungen auf der separat beigefügten Garantiekarte.

Das Produkt und das Benutzerhandbuch können geändert werden. Die technischen Daten können ohne Vorankündigung geändert werden.

TAFELBOORMACHINE

Hartelijk dank voor de aanschaf van dit Ferm product.

Hiermee heeft u een uitstekend product aangeschaft van één van de toonaangevende Europese distributeurs.

Alle Ferm producten worden gefabriceerd volgens de hoogste prestatie- en veiligheidsnormen. Deel van onze filosofie is de uitstekende klantenservice die wordt ondersteund door onze uitgebreide garantie.

Wij hopen dat u vele jaren naar tevredenheid gebruik zult maken van dit product.

De nummers in de nu volgende tekst verwijzen naar de afbeeldingen op pagina 2 - 4



Lees deze gebruiksaanwijzing zorgvuldig door, voor u de machine in gebruik neemt. Maak u vertrouwd met de werking en de bediening. Onderhoud de machine volgens de aanwijzingen, zodat zij altijd naar behoren blijft functioneren. Deze gebruiksaanwijzing en de bijbehorende documentatie dienen in de buurt van de machine bewaard te worden.

Inhoudsopgave

1. Machine gegevens
2. Veiligheidsvoorschriften
3. Montage
4. Bediening, aanwijzingen en tips
5. Onderhoud

1. Machinegegevens

Technische specificaties

Spanning	230 V~
Frequentie	50 Hz
Opgenomen vermogen	350 W
Onbelast toerental	580 - 2650/min
Aantal snelheden	5
Capaciteit boorhouder	13 mm
Gewicht	18 kg
Lpa (geluidsdrukniveau)	62 dB(A) K=3
Lwa (geluidsvermogeniveau)	75 dB(A) K=3
Vibratiewaarde	<2.5 m/s ²

Trillingsniveau

Het trillingsemissieniveau, dat in deze gebruiksaanwijzing wordt vermeld, is gemeten in overeenstemming met een gestandaardiseerde test volgens EN 61029; deze mag worden gebruikt om

twee machines met elkaar te vergelijken en als voorlopige beoordeling van de blootstelling aan trilling bij gebruik van de machine voor de vermelde toepassingen.

- gebruik van de machine voor andere toepassingen, of met andere of slecht onderhouden accessoires, kan het blootstellingsniveau aanzienlijk verhogen.
- wanneer de machine is uitgeschakeld of wanneer deze loopt maar geen werk verricht, kan dit het blootstellingsniveau aanzienlijk reduceren.

Bescherm uzelf tegen de gevolgen van trilling door de machine en de accessoires te onderhouden, uw handen warm te houden en uw werkwijze te organiseren.

Productinformatie

Fig. A

1. Aan/uit schakelaar
2. Boordiepteinstelling
3. Beschermerkap boorhouder
4. Motor
5. Boordiepte hefboom
6. Boortafelverstelling
7. Aan/uit-schakelaar voor laser
8. Laser

Controleer eerst of de levering niet door het transport beschadigd is en of alle onderdelen aanwezig zijn.

2. Veiligheidsvoorschriften

Uitleg van de symbolen

In deze gebruiksaanwijzing worden de volgende pictogrammen gebruikt:



Gevaar voor lichamelijk letsel of materiële schade wanneer de instructies in deze handleiding niet worden opgevolgd.



Gevaar voor elektrische schok.



Verwijder onmiddellijk de stekker uit het stopcontact bij beschadiging van het snoer en tijdens onderhoudswerkzaamheden.



Draag oog- en gehoorbescherming.



Voorzichtig: Laserstraal! Kijk niet direct in de laserstraal. Richt de laserstraal niet op mensen of dieren.



Houd omstanders op afstand.

Tijdens het gebruik dienen de volgende punten in acht te worden genomen:

- Geen mechanische of elektrische beschermings voorzieningen verwijderen.
- Controleer of alle beschermingsvoorzieningen op hun plaats zijn en correct zijn bevestigd.
- Bij het boren een veiligheidsbril dragen.
- Bij lang haar beslist haarbescherming dragen (haarnetje of muts). Lang haar blijft gemakkelijk aan draaiende onderdelen hangen.
- Nauwe kleding dragen; knopen aan de mouwen sluiten.
- Houd geen werkstukken bij het boren in de hand. Gebruik altijd een machineklem of een ander spangereedschap.
- Beveilig werkstukken en spangereedschappen op de tafel tegen meeslepen. Bevestig ze of zelf met schroeven of klem ze in een op de tafel vastgeschroefde machineklem.
- Controleer of de boorhouder goed spant.
- Controleer of de kabeldoorvoeren in orde zijn.
- Gebruik voor het verwijderen van boorspaanders uitsluitend handvegers, kwasten, rubberwissers, spaanhaken of overeenkomstige hulpmiddelen.
- Verricht geen schoonmaak- of smeerwerkzaamheden aan machines die in bedrijf zijn.
- Houd V-snaren altijd afgedekt (zodat de handen er niet in kunnen komen).
- Draai de tandkransboorhouder alleen met de sleutel aan.
- Laat de sleutel van de boorhouder nooit in de boorhouder zitten! Controleer voor het inschakelen van de machine of de sleutel daadwerkelijk is verwijderd!
- Gebruik geen boren die aan de schacht zijn beschadigd.
- De boormachine is niet geschikt voor freeswerkzaamheden!
- Als het netsnoer is beschadigd, mag dat uitsluitend worden vervangen door een

gelijkwaardig netsnoer.

Aanvullende veiligheidsvoorschriften voor lasers

- Kijk niet direct in de laserstraal.
- Richt de laserstraal niet op mensen of dieren.
- Richt de laserstraal niet op sterk reflecterend materiaal.
- Plaats geen harde voorwerpen in de laseroptiek.
- Reinig de laseroptiek met een zachte, droge borstel.
- Laat de laser uitsluitend repareren door een bevoegd technicus.

Het apparaat onmiddellijk uitzetten bij:

- Storing in de netstekker, netsnoer of snoerbeschadiging.
- Defecte schakelaar.
- Rook of stank van verschroeide isolatie.

Elektrische veiligheid

Neem bij het gebruik van elektrische machines altijd de plaatselijk geldende veiligheidsvoorschriften in acht in verband met brandgevaar, gevaar voor elektrische schokken en lichamelijk letsel. Lees behalve onderstaande instructies ook de veiligheidsvoorschriften in het apart bijgevoegde veiligheidskatern door.



Controleer altijd of uw netspanning overeenkomt met de waarde op het typeplaatje.



De machine is voorzien van een nulspanningsschakelaar. Na het wegvallen van de spanning begint de machine uit veiligheidsoverwegingen niet meer automatisch te lopen. De machine moet opnieuw worden ingeschakeld.

Bij vervanging van snoeren of stekkers

Wanneer het netsnoer beschadigd raakt, dan dient het vervangen te worden door een speciaal netsnoer dat verkrijgbaar is bij de fabrikant of de customer service van de fabrikant. Gooi oude snoeren of stekkers direct weg zodra ze door nieuwe exemplaren zijn vervangen. Het is gevaarlijk om de stekker van een los snoer in een stopcontact te steken.

Bij gebruik van verlengsnoeren

Gebruik uitsluitend een goedgekeurd verlengsnoer, dat geschikt is voor het vermogen van de

machine. De aders moeten een doorsnede hebben van minimaal 1,5 mm². Wanneer het verlengsnoer op een haspel zit, rol het snoer dan helemaal af.

3. Montage

Fig. B

- Zet de voetplaat (13) op de juiste plaats.
- Bevestig de kolom (11) met de bijgevoegde bouten 12) op de voetplaat.
- Schuif nu de boortafelhouder (10) met de boortafel over de kolom. Met de klemhendel (6) wordt de boortafel in de gewenste positie vastgezet.
- Nu kunt u de machinebehuizing (7) monteren en met de borgpenen (8) borgen.
- Omdat de boorspindel in de fabriek wordt gesmeerd, is het aan te raden de machine ca. 15 minuten in de laagste versnelling te laten inlopen.



Voordat u de boorhouder (9) in de boorspindel steekt, dient de binnenzijde van de boorhouder volledig vetvrij te zijn!

Opstellen van de tafelboormachine

Voor ingebruikname dient de boormachine op een vaste ondergrond te worden gemonteerd. De voetplaat (13) is daarom voorzien van boorgaten. Op die plaats kan de voetplaat door middel van schroeven aan de ondergrond worden gemonteerd. Als er op een houten plaat wordt bevestigd, dienen op de tegenoverliggende zijde voldoende grote sluitringen te worden gebruikt, zodat de moeren niet in het hout worden gedrukt en de machine los kan raken.



De bevestigingsschroeven mogen zover worden vastgedraaid, dat de voetplaat niet wordt gespannen of vervormd. Bij een te grote spanning bestaat het risico van een breuk.

Toerentallen van de boorspindel

Fig. C

De verschillende toerentallen van de boorspindel kunnen via het omzetten van de V-snaar in de snaaraandrijving (15) worden ingesteld. Vooraf dient de machine uitgeschakeld te worden en de stekker uit het stopcontact worden gehaald. Het omzetten van de V-snaar gaat als volgt:

- Haal voor het openen van de beschermkap (14) de stekker uit het stopcontact!

- De knop (18) losdraaien en de motor in de richting van de machinekop schuiven, waarop de V-snaar losraakt.
- De V-snaar volgens de tabel aan de binnenzijde van het V-snaardeksel omzetten.
- De V-snaar opnieuw spannen, door de motorplaat (17) naar achteren te drukken. Vervolgens wordt de spaninrichting met de vastzetknop (18) vastgeklemd.
- Sluit de beschermkap van de V-snaar en steek de stekker in het stopcontact. De machine is wederom klaar voor gebruik.



Houd het deksel van de behuizing van de V-snaar tijdens gebruik gesloten.

Fig. C & D

Als u de V-snaar heeft omgelegd, dient u deze via de motorplaat (17) met de vastzetknop (18) weer te spannen. De spanning is juist, wanneer de V-snaar zich ca. 1 cm in laat drukken. De motorpoelie moet horizontaal worden uitgelijnd, zodat voortijdige slijtage en het losraken van de V-snaar wordt voorkomen. Hiertoe kan de motorpoelie (15) aan de motor na het losmaken van de inbusbout langs de motoras worden verschoven.

Spindel snelheden

Fig. E

Positie van V-snaar	Toeren/min
1	2650
2	1650
3	1220
4	850
5	580

De toerentallen van de boorspindel en de V-snaarcombinaties kunnen uit de afbeelding en de tabel worden afgelezen.

Boorspindel en boorstift

Alle blanke delen van de machine zijn voorzien van een beschermende laklaag, die roestvorming tegengaat. Die beschermende laklaag is gemakkelijk met behulp van milieuvriendelijke oplosmiddelen te verwijderen. Test de V-snaarspanning voordat u de machine aan het elektriciteitsnet aansluit. De binnenzijde van de boorspindel dient volledig te worden ontvet. Gebruik daarvoor milieuvriendelijke oplosmiddelen. Ga met de boorkopstift op dezelfde manier te werk. Alleen op deze wijze kan

een correcte transmissie worden bereikt.

4. Bediening, aanwijzingen en tips

Diepteaanslag

De boerspindel is voorzien van een diepteaanslag. Met de moer kan deze worden ingesteld. Op de schaalverdeling kan de boordiepte worden afgelezen.

Inklemmen van de boor

Fig. F

In de boorkop van de tafelboormachine kunnen boren en andere gereedschappen met cilindrische schacht worden geklemd. Het draaimoment wordt via de spankracht van de drie klembekken op de boor overgedragen. De boor dient - om wegglijpen te voorkomen - met behulp van de tandkranssleutel vast te worden geklemd. Bij het wegglijpen van de boor in de boorhouder ontstaat aan de boorschacht een lichte braam, die een centrisch klemmen onmogelijk maakt. Een op die wijze ontstane braam moet in ieder geval door te slijpen worden verwijderd.

Inklemmen van het werkstuk

Fig. G

De boortafel en de voetplaat van de tafelboormachine zijn voorzien van groeven ter bevestiging van spangereedschappen. Klem het werkstuk altijd in de machineklem of andere spangereedschappen vast. U voorkomt daardoor ongevallen en verhoogt zelfs de boorprecisie, omdat het werkstuk niet „slaat“.

Tafelverstelling

Fig. H

De boortafel is aan de boorkolom bevestigd en kan na het losmaken van de vastzethendel in hoogte worden versteld. Stel de tafel dusdanig in, dat er tussen de bovenkant van het werkstuk en de punt van de boor voldoende afstand over blijft. De tafel kunt u ook zijwaarts zwenken, wanneer u een werkstuk direct op de voetplaat wilt klemmen.

Fig. I

Voor schuine boringen en bij schuin ondersteuningsvlak van het werkstuk kan de tafel worden gezwenkt. Draai daarvoor de zeskantschroef (20) aan het draaipunt van de tafel los en verwijder de centrering (21). Zwenk de tafel in de gewenste positie. Schroef vervolgens met een steeksleutel de zeskantschroef (20) weer goed vast.

Toerental, draaisnelheid, toevoer

De toevoer - de aanzetbeweging van de boor - geschiedt met de hand aan de 3-armige boorhefboom. De draaisnelheid wordt door het toerental van de boerspindel en door de diameter van de boor bepaald.

De juiste keuze van de toevoer en het toerental van de boerspindel zijn voor de levensduur van de boor doorslaggevend. Als basisregel geldt: bij een grotere diameter van de boor moet het toerental lager worden gesteld; hoe groter de stevigheid van het werkstuk is, desto groter moet ook de snijdruk zijn. Opdat de boor daarbij niet overmatig wordt verhit, moeten gelijktijdig de toevoer en de draaisnelheid worden verlaagd. Bovendien dient de boor met boorolie te worden gekoeld. Bij dunne platen moeten vrij grote boringen voorzichtig met geringe toevoer en geringe snijdruk worden uitgevoerd, opdat de boor niet „hakt“ en de boring op maat blijft. Bij diepe boringen (groter dan 2x de diameter van de boor) is de spaanafvoer moeilijker en de verhitting van de boor groter. Verlaag ook dan de toevoer en het toerental en zorg door regelmatig terugtrekken van de boor voor een betere spaanafvoer. Bij boringen met een grotere diameter dan 8 mm moet worden voorgeboord, opdat een voortijdige slijtage van de boor - hoofdsnijkant vermeden wordt en de boorpunt niet te zwaar wordt belast.

Gebruiken van de laser (fig. A)

De laser wordt gebruikt voor projectie van de snede op de muur.

- Om de laser (8) in te schakelen, drukt u de aan/uit-schakelaar (7) in.
- Om de laser (8) uit te schakelen, laat u de aan/uit-schakelaar (7) los.

5. Onderhoud



Zorg dat de machine niet onder spanning staat wanneer onderhoudswerkzaamheden aan het mechaniek worden uitgevoerd.

Deze machines zijn ontworpen om gedurende lange tijd probleemloos te functioneren met een minimum aan onderhoud. Door de machine regelmatig te reinigen en op de juiste wijze te behandelen, draagt u bij aan een hoge levensduur van uw machine.

Reinigen

Reinig de machinebehuizing regelmatig met een zachte doek, bij voorkeur iedere keer na gebruik. Zorg dat de ventilatiesleuven vrij van stof en vuil zijn.

Gebruik bij hardnekkig vuil een zachte doek bevochtigd met zeepwater. Gebruik geen oplosmiddelen als benzine, alcohol, ammonia, etc. Dergelijke stoffen beschadigen de kunststof onderdelen.

Smering

Alle lagers van de boormachine werden in de fabriek van smering voorzien. Verdere smering is niet noodzakelijk. Smeer van tijd tot tijd de tandwielen en tandstangen, het tafelhefmechanisme, de spindel en de tandstangentanden van de holle as. Open de riemafdekking en sproei een klein beetje olie op de spindel. Er mag geen olie op de riem terecht komen!

Storingen

Wanneer er zich een storing voordoet, bijvoorbeeld bij slijtage van een onderdeel, neem dan contact op met het onderhoudsadres op de garantietaal. Achter in deze handleiding ziet u een opengewerkte afbeelding van de onderdelen die besteld kunnen worden.

Milieu

Om transportbeschadiging te voorkomen, wordt de machine in een stevige verpakking geleverd. De verpakking is zo veel mogelijk gemaakt van recyclebaar materiaal. Maak daarom gebruik van de mogelijkheid om de verpakking te recyclen.



Defecte en/of afgedankte elektrische of elektronische gereedschappen dienen ter verwerking te worden aangeboden aan een daarvoor verantwoordelijke instantie.

Garantie

Lees voor de garantievooraanden de apart bijgevoegde garantietaal.

Het product en de gebruikershandleiding zijn onderhevig aan wijzigingen. Specificaties kunnen zonder opgaaf van redenen worden gewijzigd.

PERCEUSE À COLONNE

Merci pour votre achat de ce produit Ferm.

Vous disposez maintenant d'un excellent produit, proposé par l'un des principaux fabricants européens. Tous les produits que vous fournissent Ferm sont fabriqués selon les normes les plus exigeantes en matière de performances et de sécurité. Complété par notre garantie très complète, l'excellence de notre service clientèle forme également partie intégrante de notre philosophie. Nous espérons que vous profiterez longtemps de ce produit.

Les numéros dans le texte suivant réfèrent aux illustrations des page 2 - 4.



Lisez attentivement ce mode d'emploi avant la mise en service de l'appareil. Familiarisez-vous avec le fonctionnement et la manipulation de l'appareil. Entretenez l'appareil conformément aux instructions, afin qu'il fonctionne parfaitement à chaque utilisation. Ce mode d'emploi et toute documentation relative à l'appareil doivent être conservés près de celui-ci.

Contenu

1. Informations sur la machine
2. Consignes de sécurité
3. Montage
4. Employes, indications et conseils
5. Entretien

1. Informations sur la machine

Spécifications techniques

Tension	230 V~
Fréquence	50 Hz
Puissance consommée	350 W
Vitesse à vide	580-2650/min
No. vitesse	5
Mandrin capacité	13 mm
Poids	18 kg
Lpa (Niv. de pression acoustique)	62 dB(A) K=3
Lpa (Niv. de puissance acoustique)	75 dB(A) K=3
Vibration	<2.5 m/s ²

Niveau de vibrations

Le niveau de vibrations émises indiqué en ce manuel d'instruction a été mesuré conformément à l'essai normalisé de la norme EN 61029; il peut être utilisé pour comparer plusieurs outils et pour réaliser une évaluation préliminaire de l'exposition

aux vibrations lors de l'utilisation de l'outil pour les applications mentionnées.

- l'utilisation de l'outil dans d'autres applications, ou avec des accessoires différents ou mal entretenus, peut considérablement augmenter le niveau d'exposition.
- la mise hors tension de l'outil et sa non-utilisation pendant qu'il est allumé peuvent considérablement réduire le niveau d'exposition.

Protégez-vous contre les effets des vibrations par un entretien correct de l'outil et de ses accessoires, en gardant vos mains chaudes et en structurant vos schémas de travail.

Informations concernant le produit

Fig. A

1. Marche/arrêt interrupteur
2. Profondeur
3. Protection le foret
4. Moteur
5. Levier le forage
6. Levier le fixation
7. Interrupteur marche/arrêt (laser)
8. Laser

Vérifier la machine, les pièces et accessoires mobiles pour détecter les dommages éventuels.

2. Consignes de sécurité

Explication des symboles

Dans ce mode d'emploi, il est fait usage des pictogrammes suivants:



Indique un risque de blessures, un danger mortel ou un risque d'endommagement de l'outil en cas du non-respect des consignes de ce mode d'emploi.



Indique un risque de décharges électriques.



Débranchez immédiatement la fiche de l'alimentation électrique principale dans le cas où la corde est endommagée et pendant la.



Protégez-vous les yeux et les oreilles.



Attention : Rayon laser ! Ne regardez pas directement le faisceau laser. Ne pointez pas le faisceau laser sur les humains ou les animaux.



Ne laissez aucune personne s'approcher de la zone de travail.

Pendant l'utilisation les points suivants doivent être pris en considération:

- Ne pas éloigner des dispositifs mécaniques ou électriques de sécurité.
- Contrôler si tous les dispositifs de sécurité sont en place et fixés correctement.
- Porter des lunettes pendant le forage.
- Dans le cas de cheveux longs, porter surtout une protection des cheveux (filet ou bonnet). Les cheveux longs se prennent facilement dans les parties rotatives.
- Porter des vêtements serrés et fermer les boutons aux poignets.
- Ne pas tenir de pièces à usiner dans la main lors du forage. Utiliser toujours un étau ou un autre outil de serrage.
- Protéger les pièces à usiner et les outils de serrage sur contre l'entraînement. Les fixer soi-même avec des vis ou les coincer dans un étau vissé sur la table.
- Vérifier si le porte-foret est bien tendu.
- Vérifier si les conduites de câbles sont en ordre.
- Utiliser uniquement des balayettes, des pinceaux, des balais de séchage en caoutchouc, crochets à copeaux ou autre matériel similaire, pour enlever les copeaux de forage.
- Ne pas faire de travaux de graissage ou de nettoyage sur une machine en service.
- Tenir les courroies trapézoïdales toujours couvertes. (de sorte que les mains ne peuvent y être prises).
- Utiliser toujours des clés pour le serrage du mandrin à couronne dentée.
- Ne jamais laisser la clé du mandrin dans la machine, vérifier si la clé a été effectivement retirée!
- Ne pas utiliser de forets qui sont endommagés à la tige.
- La perceuse à colonne n'est pas faite pour le travail de fraisage!

- Lorsque le câble électrique est endommagé, il ne doit être remplacé que par un câble équivalent.

Avertissements de sécurité additionnels pour les lasers

- Ne regardez pas directement le faisceau laser.
- Ne pointez pas le faisceau laser sur les humains ou les animaux.
- Ne pointez pas le faisceau laser sur un matériau très réfléchissant.
- N'insérez aucun objet dur dans l'optique laser.
- Nettoyez l'optique laser avec une brosse douce et sèche.
- Confiez les réparations du laser uniquement à un technicien qualifié.

Arrêter immédiatement l'appareil en cas de:

- Court-circuit de la fiche-secteur ou du fil d'alimentation ou endommagement du fil d'alimentation.
- Interrupteur défectueux.
- Fumée ou odeur d'isolant brûlé.

Sécurité électrique

Lors d'utilisation de machines électriques, observez les consignes de sécurité locales en vigueur en matière de risque d'incendie, de chocs électriques et de lésion corporelle. En plus des instructions ci-dessous, lisez entièrement les consignes de sécurité contenues dans le cahier de sécurité fourni à part.



Vérifiez toujours si la tension de votre réseau correspond à la valeur mentionnée sur la plaque signalétique.



La machine est pourvue d'un interrupteur de tension zéro. Par mesure de sécurité la machine ne commencera pas à marcher automatiquement après une coupure de la tension. Elle devra à nouveau être remise en marche.

En cas de changement de câbles ou de fiches Jetez immédiatement les câbles ou fiches usagés dès qu'ils sont remplacés par de nouveaux exemplaires. Il est dangereux de brancher la fiche d'un câble défectueux dans une prise de courant.

Utilisation de rallonges

Utilisez exclusivement des rallonges supportant le voltage de l'outil. Les brins doivent avoir une section de 1.5 mm² minimum. Si la rallonge est

enroulée, déroulez-la complètement.

3. Montage

Fig. B

- Placer le socle (13) à l'endroit voulu.
- Fixer la colonne (11) à l'aide des boulons (12) joints à la livraison, sur le socle.
- Glisser maintenant le porte-foret (10) avec la table sur la colonne. La table de forage est fixée dans la position voulue à l'aide du levier de fixation (6).
- Le capot de la machine (7) pourra maintenant être monté et fixé à l'aide des goupilles d'arrêt (8).
- Comme la broche de forage a été graissée à l'usine, il est recommandé de faire tourner la machine durant environ 15 min. à la vitesse la plus basse.



Avant d'introduire le mandrin à clavette (9) dans la broche de forage, l'intérieur de celle-ci doit être entièrement dégraissé!

Installation de la perceuse à colonne

Avant de l'utiliser la perceuse à colonne doit être montée sur une surface fixe. C'est pourquoi le socle (13) est pourvu de trous de forage. Le socle peut être monté à cet endroit avec des vis sur la surface de support. Lorsqu'on monte sur une plaque en bois, il faut monter suffisamment de grandes rondelles de blocage sur la face opposée, afin d'éviter que les écrous ne soient enfoncés dans le bois et que la machine ne puisse pas se démonter.



Les vis de fixation doivent être serrées à tel point que le socle ne soit pas tendu ni déformé. Trop de pression risque de faire briser le socle.

Reglage du régime de la broche de forage

Fig. C

Les différents régimes de la broche de forage peuvent être réglés en changeant de position la courroie trapézoïdale dans la transmission. Mais auparavant la machine doit être mise à l'arrêt et la fiche retirée de la prise électrique. Le changement de position de la courroie trapézoïdale se fait de la façon suivante:

- Avant d'ouvrir le capot de la courroie (14), retirer la fiche de la prise électrique !
- Dévisser le bouton de fixation (18) et glisser le moteur dans la direction de la tête de la

machine, ce qui libérera la courroie trapézoïdale (15).

- Déplacer la courroie selon les indications du schéma à l'intérieur du couvercle de la courroie trapézoïdale.
- Retendre la courroie, en poussant la plaque du moteur (17) vers l'arrière. Ensuite, bloquer la tension par le bouton de fixation (18).
- Refermer le capot de la courroie et brancher l'électricité. La machine est de nouveau prête à l'emploi.



Tenir le couvercle du manteau de la courroie trapézoïdale fermé pendant l'utilisation de la machine.

Fig. C & D

Lorsque vous avez inversé la marche de la courroie, il faudra la retendre à l'aide du bouton de blocage (18) sur la plaque du moteur (17). La tension est bonne lorsqu'on peut enfoncer la courroie d'environ 1 cm. La poulie du moteur doit être alignée horizontalement, pour éviter l'usure prématurée et la libération de la courroie. Pour cela la poulie du moteur (15) peut être glissée sur l'axe du moteur, après avoir dévissé le boulon à six pans creux.

Réglage du régime de la broche de forage

Fig. E

Position courroie trapézoïdale	Régime/min
1	2650
2	1650
3	1220
4	850
5	580

Les régimes de la combinaison de la broche de forage et de la courroie trapézoïdale sont indiqués sur les dessins et schémas.

Broche de forage et goupille de mandrin

Toutes les parties de la machine en métal blanc sont pourvues d'une couche de peinture laquée de protection empêchant la formation de rouille. Cette couche protectrice de peinture laquée est facile à retirer à l'aide d'un solvant respectant l'environnement. Tester la tension de la courroie trapézoïdale avant de brancher la machine sur le réseau électrique. L'intérieur de la broche de forage doit être entièrement dégraissé. Pour cela utiliser un solvant respectant l'environnement. Procéder de même pour la goupille de mandrin.

Ce n'est que de cette manière que vous obtiendrez une transmission correcte.

4. Employez, indications et conseils

Butee de profondeur

La broche à forage est pourvue d'une butée de profondeur. Celle-ci peut être réglée à l'aide de l'écrou. La profondeur de forage peut être lue sur l'échelle graduée.

Pour coincer le foret

Fig. F

Dans le mandrin de la perceuse à colonne on peut coincer des forets et autres outils à tige cylindrique. Le moment de la rotation est transmis à la foreuse par la force expansive des trois pinces de serrage. La foreuse doit être coincée à l'aide de la clé à mandrin afin d'éviter qu'elle ne s'échappe. Lorsque la foreuse s'échappe dans le porte-foreuse, cela formera une légère ébarbure à la tige de la foreuse ce qui rendra impossible le blocage axial. Une ébarbure produite de cette manière, devra en tous cas être supprimée par un polissage. Pour des forages en biais et dans le cas de surface de support en biais de la pièce à usiner, la table peut être tournée. Pour cela dévisser la vis.

Coincement d'une pièce à usiner

Fig. G

La table de forage et le socle de la perceuse à colonne, sont pourvus de cannelures pour la fixation d'outils de serrage. Coincer toujours la pièce à usiner dans un étau ou autres outils de serrage. Vous éviterez ainsi des accidents et augmenterez même la précision de forage, car la pièce à usiner ne 'bat' pas.

Réglages de la table

Fig. H

La table de la foreuse est fixée sur la colonne de forage et peut être réglée en hauteur lorsque le levier de fixation a été libéré. Régler la table de manière à ce qu'il reste suffisamment d'espace entre le haut de la pièce à usiner et la pointe du foret. La table peut aussi être déviée vers le côté, lorsqu'on veut coincer directement une pièce sur le socle.

Fig. I

Réglage de la table hexagonale (20) sur le point de rotation de la table et retirer le centrage (21). Tourner la table dans la position voulue. Ensuite

bien revisser la vis hexagonale (20) à l'aide d'une clé plate.

Regime, vitesse de rotation, amenee

La descente - le mouvement d'amorçage de la perceuse - se fait à la main sur le levier de forage à trois bras. La vitesse de rotation est déterminée par le nombre de tours de la broche de forage et par le diamètre du foret. Le choix juste de descente et le nombre de tours de la broche de forage forment un facteur déterminant pour la durée de vie du foret. En règle de base on peut dire : pour un diamètre plus grand du foret, le régime doit être réglé plus bas ; plus la solidité de la pièce à usiner est grande, plus grande doit aussi être la pression de l'usinage. Pour ne pas surchauffer le foret, il faudra en même temps diminuer la descente et la vitesse de rotation. De plus, le foret devra être refroidi avec de l'huile à foret. Pour des plaques fines, les forages plutôt grands devront être exécutés avec précaution avec une légère descente et une légère pression d'usinage, afin que le foret ne 'hachure' pas et que le forage reste à la mesure voulue. Pour des forages profonds (plus profonds que 2 x le diamètre du foret), l'évacuation des copeaux est plus difficile et le surchauffement du foret plus fort. Même là diminuer la descente et le nombre de tours et provoquer une meilleure évacuation des copeaux en remontant régulièrement le foret. Pour des forages à diamètre plus grand que 8 mm, il faudra faire un pré-forage, afin d'éviter ainsi une usure prématurée de l'arête tranchante du foret et que la pointe du foret ne soit pas surchargée.

Utilisation du laser (fig. A)

Le laser est utilisé pour projeter la découpe sur le mur.

- Pour mettre le laser (8) en marche, appuyez sur l'interrupteur marche/arrêt (7).
- Pour arrêter le laser (8), relâchez l'interrupteur marche/arrêt (7).

5. Entretien



Assurez-vous que la machine n'est pas sous tension si vous allez procéder à des travaux d'entretien dans son système mécanique.

Les machines ont été conçues pour fonctionner longtemps sans problème avec un minimum d'entretien. En nettoyant régulièrement et correctement la machine, vous contribuerez à une

longue durée de vie de votre machine.

Nettoyage

Nettoyez régulièrement le carter au moyen d'un chiffon doux, de préférence à l'issue de chaque utilisation. Veillez à ce que les fentes d'aération soient indemnes de poussière et de saletés. En présence de saleté tenace, employez un chiffon doux humecté d'eau savonneuse. Proscrivez l'emploi de solvants comme l'essence, l'alcool, l'ammoniacal etc. car ces substances attaquent les pièces en plastique.

Lubrification

Tous les paliers de la perceuse ont été lubrifiés en usine. La lubrification n'est donc pas nécessaire. De temps en temps, graissez les crémaillères et les pignons, le mécanisme de levage de la table, la broche et les cannelures de l'arbre creux. Ouvrez le carter de protection de la courroie d'entraînement et projetez un peu d'huile sur l'arbre de la broche. Veillez à ce que l'huile ne soit pas mise au contact de la courroie d'entraînement.

Dysfonctionnements

Veillez vous adresser au centre de service indiqué sur la carte de garantie en cas d'un dysfonctionnement, par exemple après l'usure d'une pièce.

Vous trouverez, à la fin de ce manuel, un schéma avec toutes les pièces que vous pouvez commander.

Environnement

Pour éviter les dommages liés au transport, la machine est livrée dans un emballage robuste. L'emballage est autant que possible constitué de matériau recyclable. Veuillez par conséquent destiner cet emballage au recyclage.



Tout équipement électronique ou électrique défectueux dont vous seriez débarrassé doit être déposé aux points de recyclage appropriés.

Garantie

Pour les conditions de garantie, lisez le certificat de garantie joint à part.

Le produit et le manuel d'utilisation sont sujets à modifications. Les spécifications peuvent changer sans autre préavis.

TALADRADORA DE MESA

Gracias por comprar este producto Ferm.

Al hacerlo ha adquirido un excelente producto, suministrado por uno de los proveedores líderes en Europa. Todos los productos suministrados por Ferm se fabrican de conformidad con las normas más elevadas de rendimiento y seguridad. Como parte de nuestra filosofía también proporcionamos un excelente servicio de atención al cliente, respaldado por nuestra completa garantía. Esperamos que disfrute utilizando este producto durante muchos años.

Los números que se indican en el siguiente texto hacen referencia a las figuras contenidas en las páginas 2 - 4.



Lea atentamente estas instrucciones de uso antes de poner el aparato en funcionamiento. Póngase al corriente con la forma de funcionamiento y el manejo. Cuide la máquina de acuerdo con las instrucciones para que funcione siempre de forma correcta. Las instrucciones de uso y la correspondiente documentación deben guardarse en la proximidad de la máquina.

Contenidos

1. Información de la herramienta
2. Normas de seguridad
3. Montaje
4. Manejo, recomendaciones
5. Mantenimiento

1. Información de la herramienta

Especificaciones técnicas

Tensión	230 V~
Frecuencia	50 Hz
Potencia nominal	350 W
Velocidad sin carga	580 - 2650/min
No. revoluciones	5
Cap. del mandril	13 mm
Peso	18 kg
L _{pa} (Nivel de presión sonora)	62 dB(A) K=3
L _{wa} (Nivel de potencia sonora)	75 dB(A) K=3
Vibración	<2.5 m/s ²

Nivel de vibración

El nivel de emisión de vibraciones indicado en este manual de instrucciones ha sido medido según una prueba estándar proporcionada en EN 61029; puede utilizarse para comparar una

herramienta con otra y como valoración preliminar de la exposición a las vibraciones al utilizar la herramienta con las aplicaciones mencionadas.

- al utilizarla para distintas aplicaciones o con accesorios diferentes o con un mantenimiento deficiente, podría aumentar de forma notable el nivel de exposición.
- en las ocasiones en que se apaga la herramienta o cuando está funcionando pero no está realizando ningún trabajo, se podría reducir el nivel de exposición de forma importante.

Protéjase contra los efectos de la vibración realizando el mantenimiento de la herramienta y sus accesorios, manteniendo sus manos calientes y organizando sus patrones de trabajo.

Información del producto

Fig. A

1. Interruptor Marcha/Paro
2. Tope de profundidad
3. Protector de portabroca
4. Motor
5. Carrera de perforación
6. Palanca de bloqueo la mesa
7. Interruptor de encendido/apagado para el láser
8. Láser

Asegúrese en primer lugar que la entrega no ha sufrido daños durante el transporte ni que falte ninguna pieza.

2. Normas de seguridad

Explicación de los símbolos

En el presente manual se utilizan los siguientes símbolos:



Indica peligro de accidente, de muerte o riesgo de provocar averías en el aparato en caso de no seguir las instrucciones de este manual.



Indica el peligro de sufrir descargas eléctricas.



Desconecte inmediatamente la toma de corriente en caso de que se dañe el cable de potencia y durante el proceso de mantenimiento.



Mantenga a los presentes a una distancia prudencial de la zona de trabajo.



Precaución: ¡Rayo láser! No mire directamente al rayo láser. No apunte el rayo láser a otras personas o animales.



Lleve protectores para los ojos y los oídos.

Durante su uso deberán cumplirse los siguientes puntos:

- No elimine ningún elemento de protección eléctrica o mecánica.
- Controle que todos los elementos protectores están en su lugar y que se encuentran en perfecto estado.
- Durante el taladrado, lleve siempre gafas protectoras.
- Use ropa ajustada y lleve los puños de la camisa abrochados.
- Durante el taladrado no sostenga ningún tipo de herramienta. Utilice siempre cualquier tipo de mordaza o útil de fijación.
- Proteja la pieza o el útil de fijación sobre la mesa para que ésta no sea arrastrada, fijándola para ello con tornillos o atornillando el útil de fijación a la mesa.
- Controle que el portabrocas esté ajustado.
- Controle que los pasacables estén en correcto estado.
- Para retirar las virutas producidas por el taladrado utilice exclusivamente escobillas de mano, una brocha, un limpiador de goma, un gancho para virutas o cualquier herramienta similar.
- No limpie ni engrase la máquina que se encuentre en funcionamiento.
- Mantenga siempre cubiertas las correas trapezoidales (para evitar cualquier contacto con las manos).
- Gire el piñón de la broca sólo con la llave de piñón.
- No deje la llave de piñón nunca en el portabroca. Mire antes de poner en marcha la máquina que haya ha quitado realmente la llave.
- Nunca utilice brocas que tengan la caña dañada.
- La taladradora no es apta para el fresado.

- Si el cable de la corriente está roto, cámbielo únicamente por otro cable de similares características.

Advertencias de seguridad adicionales para láseres

- No mire directamente al rayo láser.
- No apunte el rayo láser a otras personas o animales.
- No apunte el rayo láser a materiales altamente reflectantes.
- No introduzca objetos duros en la óptica del láser.
- Limpie la óptica del láser con un cepillo suave y seco.
- El láser únicamente debe ser reparado por un técnico cualificado.

Desconectar inmediatamente el aparato en case de:

- Fallo en el enchufe, en el cable o avería del cable.
- Interruptor averiado.
- Humo o mal humor de material aislante quemado.

Seguridad eléctrica

Tenga siempre presentes las normas de seguridad locales con respecto al peligro de incendio, peligro de sufrir descargas eléctricas y peligro de accidentes. Lea, además de las instrucciones que siguen a continuación, las normas de seguridad que aparecen en el cuadernillo anexo.



Controle que la tensión de la red sea la misma que la que aparece indicada en la placa.



La máquina está provista de un interruptor de desconexión. En caso de que la corriente sea interrumpida por razones de seguridad, la máquina no empezará a funcionar automáticamente, es decir, la máquina deberá ser activada de nuevo.

Recambio de cables y enchufes

Si la red eléctrica de cables resulta dañada, se debe sustituir con una red de cables especial que se puede obtener del fabricante o del servicio de atención al cliente. Deshágase de los cables o clavijas antiguos inmediatamente después de sustituirlos por los nuevos. Es peligroso conectar

a un enchufe la clavija de un cable suelto.

Uso de cables de extensión

Utilice siempre cables de extensión autorizados que sean aptos para la potencia del aparato. Los hilos deben tener un diámetro de 1,5 mm².

Cuando el cable de extensión esté en un carrete, desenrolle el cable completamente.

3. Montaje

Fig. B

- Coloque la base (13) en un lugar adecuado.
- Ajuste la columna (11) a la base mediante los tornillos (12) que se incluyen en la entrega.
- Introduzca el soporte de la mesa (10) y la mesa en la columna. Mediante la palanca de bloqueo (6) fije la mesa en la posición deseada.
- Ahora monte el cabezal (7) y fíjelo mediante los pernos de retención (8).
- Puesto que el husillo sale lubricado de fábrica, se recomienda mantener en marcha la máquina unos 15 minutos en la velocidad inferior.



El interior del husillo deberá ser totalmente desengrasado antes de introducir la broca con lengüeta en el husillo.

Instalación de la taladradora de mesa

Monte la taladradora sobre suelo firme antes de ponerla en marcha. La base (13) está provista de agujeros de perforación destinados a ese fin. Fije, por lo tanto, la base al suelo mediante tornillos. En caso de que la taladradora se monte sobre una plancha de madera, deberán utilizarse arandelas grandes en la parte opuesta para que así los pernos no sean presionados contra la madera ni la taladradora pueda soltarse.



Apriete los tornillos lo máximo posible procurando evitar siempre que la base sufra una presión excesiva y se deforme. En caso de que hubiera una presión excesiva existe la posibilidad de que la base sufriera roturas.

Regulación de las revoluciones del husillo

Fig. C

Para modificar el número de revoluciones del husillo, cambie de posición la correa trapezoidal en el mecanismo de transmisión. En cualquier

caso desconecte la taladradora y saque la clavija del enchufe. Para cambiar la posición de la correa trapezoidal haga lo siguiente:

- Antes de abrir la tapa de la transmisión (14) saque la clavija del enchufe.
- Desenrosque el tornillo de fijación (18) y mueva el motor hacia el cabezal, con lo cual se soltará la correa trapezoidal.
- Coloque la correa trapezoidal en la parte interior del cabezal.
- Tense la correa de nuevo presionando hacia atrás la tapa del motor (17). A continuación fije el tensor de correa con el tornillo de fijación (18).
- Cierre el cabezal y conecte la clavija en el enchufe. La máquina está a punto para su uso.



Mantenga la tapa del cabezal cerrada siempre que la máquina esté en marcha.

Fig. C & D

Una vez que haya colocado la correa, deberá volver a tensarla mediante la tapa del motor (17) y el tornillo de fijación (18). Se entenderá que la tensión de la correa es la correcta cuando sea posible apretar la correa aproximadamente 1 cm. El motor conectado a la polea deberá estar alineado correctamente en posición horizontal para prevenir de esta manera el desgaste prematuro o la rotura de la correa trapezoidal. A este efecto, una vez se haya desenroscado el tornillo con hexágono interior, se ajustará la polea del motor al eje del motor.

Revolucion del husillo

Fig. E

Pos. correa trapezoidal	Revoluciones/min
1	2650
2	1650
3	1220
4	850
5	580

En el siguiente esquema se ilustran las diferentes combinaciones de la correa posibles, así como del número de revoluciones del husillo.

Husillos lengüeta del husillo

Todas las partes que se encuentran descubiertas están provistas de una capa protectora de esmalte antioxidante. Dicha capa protectora es fácilmente eliminable aplicando cualquier tipo de disolvente ecológico. Compruebe la tensión de la correa

trapezoidal antes de enchufar la máquina a la corriente. La parte interior del husillo deberá desengrasarse completamente utilizando para ello cualquier tipo de disolvente ecológico. Haga lo mismo con la lengüeta del husillo ya que sólo de esta manera podrá conseguirse una correcta transmisión.

4. Manejo, recomendaciones

Tope de profundidad

El husillo está provisto de un tope de profundidad, el cual puede ser regulado mediante una tuerca. En la escala graduada puede leerse la profundidad del taladrado.

Fijación de la broca

Fig. F

En el portabrocas de la taladradora de mesa se pueden acoplar brocas u otras herramientas de caña cilíndrica. El par motor se transmite a través de la fuerza de torsión de las tres garras a la broca. Mediante la llave de piñón se deberá fijar la broca para así evitar que la broca baile. En tal caso se formará una rebaba en la caña que impediría fijar la broca en el centro. Elimine las rebabas producidas de esta manera limándolas.

Fijación de la pieza

Fig. G

Tanto la mesa como la base de la taladradora de mesa están provistas de pernos que sirven para fijar cualquier tipo de útil de fijación. Inmovilice la pieza con la mordaza o cualquier otro tipo de útil de fijación. De esta manera se evitarán accidentes además de aumentar la precisión del taladrado.

Regulación de la mesa

Fig. H

La mesa está sujeta a la columna aunque es posible regular la altura si se afloja la palanca de bloqueo. Regule la mesa de tal manera que quede una distancia mínima entre la parte superior de la pieza y la punta de la broca. También es posible girar la mesa hacia un lado cuando se quiera fijar la pieza directamente a la base.

Fig. I

Cuando se desee taladrar piezas oblicuamente o taladrar una pieza con una base de apoyo inclinada se puede inclinar la mesa. Desafloje para ello el tornillo hexagonal (20) en el centro de giro de la mesa y quite el anillo central (21). Incline la mesa en la posición deseada apretando seguidamente de

nuevo el tornillo hexagonal (20) con una llave fija.

Número de revolucionesm, velocidad de rotación, avance

El avance, es decir, el movimiento de accionamiento del taladrado, se realiza manualmente mediante una palanca de tres brazos. La velocidad de rotación viene determinada por el número de revoluciones del husillo así como del diámetro de la broca. La correcta elección del avance y del número de revoluciones son factores decisivos para la vida útil de la taladradora. Por norma general, cuanto mayor es el diámetro de broca, menor será el número necesario de revoluciones, del mismo modo, cuanto más dura es la pieza, mayor será también la presión de corte necesaria. Para evitar que la broca se sobrecaliente, será necesario reducir simultáneamente la velocidad de rotación y el avance. Será necesario además enfriar la broca con lubricante de corte. Cuando se vaya a efectuar grandes agujeros en placas finas, se procurará reducir la distancia de avance y la presión de corte para que así el taladrado sea preciso y la broca no corte. En la realización de agujeros hondos (superiores a dos veces el diámetro de la broca) es más difícil la retirada de las virutas a la vez que aumenta el calentamiento de la broca. Reduzca por esa razón la distancia de avance así como el número de revoluciones procurando retirar con regularidad la broca para facilitar así la retirada de virutas. Para realizar agujeros de diámetro mayor a los 8 mm, se deberá taladrar el agujero previamente para prevenir así el desgaste prematuro de la broca - del cuerpo de la broca - y la sobrecarga de la punta de la broca.

Utilización del láser (fig. A)

El láser se usa para proyectar el corte sobre la pared.

- Para encender el láser (8), pulse el interruptor de encendido/apagado (7).
- Para apagar el láser (8), suelte el interruptor de encendido/apagado (7).

5. Mantenimiento



Antes de cualquier trabajo de mantenimiento o limpieza saque siempre el enchufe de la caja de corriente (enchufe de pared). No utilice nunca agua u otros líquidos para limpiar las partes eléctricas de su pulidora.

Los aparatos han sido diseñados para funcionar correctamente durante un largo periodo de tiempo necesitando un mantenimiento mínimo.

Manteniendo limpio el aparato y usándolo correctamente, conseguirá alargar la vida útil de los aparatos.

Limpieza

Limpie regularmente el aparato con un paño, preferentemente después de cada uso. Asegúrese de que las rejillas de ventilación no posean partículas de polvo ni suciedad. Si hubiera suciedad incrustada, utilice un paño humedecido con agua y jabón. No utilice jamás materiales disolventes tales como gasolina, alcohol, amoníaco, etc. Dichos productos podrían dañar el plástico de diferentes piezas del aparato.

Lubricación

En la fábrica se han lubricado todos los cojinetes de la prensa taladradora. No es necesaria más lubricación. De vez en cuando deberá engrasar las cremalleras y los piñones, el mecanismo de elevación de la mesa, el husillo y las ranuras del eje hueco. Abra la protección de la correa de transmisión y eche un chorrito de aceite en el eje del husillo. ¡No deje que el aceite toque la correa de transmisión.

Averías

Si se presenta una avería, por ejemplo, por el desgaste de una pieza, póngase en contacto con el proveedor de servicios indicado en la tarjeta de garantía. En el dorso de este manual encontrará un amplio resumen de las partes de recambio que se pueden ordenar.

Uso ecológico

Para prevenir los daños durante el transporte, el aparato ha sido embalado. Dicho embalaje está hecho, en la medida de lo posible, de material reciclable. Le rogamos, por lo tanto, que recicle dicho material.



Cualquier aparato eléctrico o electrónico desechado y/o defectuoso tiene que depositarse en los lugares apropiados para ello.

Garantía

Lea atentamente las condiciones de garantía indicadas en la tarjeta de garantía que aparece en este manual de instrucciones.

El producto y el manual de usuario están sujetos a cambios. Las especificaciones pueden modificarse sin previo aviso.

STUPNA BUŠILICA FERM

Zahvaljujemo Vam na kupovini ovog FERM proizvoda. FERM je jedan od vodećih europskih proizvođača električnog alata. Svi proizvodi tvrtke FERM su proizvedeni prema najvišim radnim i sigurnosnim standardima. Sastavni dio naše misije je pružanje izvrsne podrške korisnicima uz naše opsežno jamstvo. Nadamo se da će čete uživati koristeći naš proizvod dulji niz godina.

Brojevi u tekstu koji slijedi odnose se na crteže na stranicama 2 - 4



Pažljivo pročitajte naputke za uporabu prije uporabe uređaja. Dobro se upoznajte s načinom rada uređaja i načinom njegovog korištenja. Održavajte uređaj sukladno naputcima i provjerite funkcionira li uređaj ispravno. Čuvajte ovaj priručnik i ostalu priloženu dokumentaciju zajedno s uređajem.

Sadržaj

1. Značajke uređaja
2. Naputci za siguran rad
3. Montaža
4. Uporaba, upute i savjeti
5. Servisiranje i održavanje

1. Značajke uređaja

Tehnički detalji

Napon	230 V~
Frekvencija	50 Hz
Potrošnja struje	350 W
Praznohodna brzina vrtnje	580 - 2650/min
Broj stupnjeva	5
Stezna glava	do 13 mm
Morze konus	13 mm
Težina	18 kg
Lpa (zvučni pritisak)	62 dB (A)
Lwa (zvučna snaga)	75 dB (A)
Vibracija	1.57 m/s ²

Razina vibracija

Razina vibracije navedena u ovom naputku je izmjerena u skladu sa standardiziranim testom EN 60745; može se koristiti za usporedbu nekog uređaja s drugim uređajem te kao pripremana procjena izloženosti vibracijama kada se uređaj koristi u navedene svrhe

- korištenje uređaja u druge svrhe ili s drugim, loše održavanim, dodatcima može znatno

- povećati izloženost vibracijama u vrijeme kada je uređaj isključen ili ako je uključen, ali ne i aktivan znatno se može smanjiti razina izloženosti vibracijama

Zaštitite se od utjecaja vibracija redovitim i pravilnim održavanjem stroja i njegovih dodataka, zaštitite ruke i učinkovito organizirajte svoj rad.

Dijelovi stroja

Slika A

1. Prekidač za uključivanje /isključivanje
2. Regulator dubine bušenja
3. Štitnik
4. Motor
5. Poluga
6. Prilagodba za stol
7. Prekidač za uključivanje/isključivanje za laser
8. Laser

Provjerite stroj, dijelove i dodatke, u slučaju da je došlo do oštećenja pri transportu

2. Naputci za siguran rad

Objašnjenje oznaka



Označava opasnost od ozljeda, gubitka života ili oštećenja uređaja u slučaju nepridržavanja naputaka u ovom priručniku.



Označava opasnost od električnog udara.



Odmah isključite utikač iz strujne mreže u slučaju da se kabel ošteti i tijekom rada na održavanju mašine



Udaljite promatrače.



Oprez: Laserke zrake! Nemojte gledati izravno u lasersku zraku. Lasersku zraku nemojte usmjeravati u ljude ili životinje.



Nosite zaštitu za uši i oči

Za vrijeme uporabe pazite na slijedeće:

- ne odstranjujte mehaničke ili električne

zaštitne dijelove

- provjerite jesu li svi zaštitni dijelovi na mjestu i dobro pričvršćeni
- nosite zaštitne naočale za vrijeme bušenja
- ako imate dugu kosu, obavezno nosite zaštitu (mrežu ili kapu), duga kosa se lako uhvati u pomične dijelove bušilice
- zakopčajte odjeću, dugmad na rukavima
- ne držite predmete u ruci dok ih bušite, obavezno ih stavite u stegu
- zaštitite predmete koje bušite i stezne alate na radnoj površini, učvrstite ih vijcima i stegama pričvršćenim za stol
- provjerite da je držač bušilice dobro učvršćen i bušilica dobro stegnuta u držaču
- za odstranjivanje strugotina i ostataka od bušenja koristite ručne četke, četke, gumene brisače ili slična pomagala
- ne čistite i ne podmazujte bušilicu dok je u pogonu
- provjerite jesu li vodilice za kablove u redu
- držite remenje pokrivenim da vam ne mogu zahvatiti ruke
- ključem zategnite nazubljeni kružni držač svrdla
- ne ostavljajte ključ za zatezanje svrdla u držaču svrdla, prije pokretanja bušilice provjerite jeste li izvadili ključ
- ne koristite oštećena svrdla
- bušilica nije pogodna za prešanje materijala
- ako je strujni kabel oštećen, zamijenite ga strujnim kabelom iste vrste

Dodatna sigurnosna upozorenja za lasere

- Nemojte gledati izravno u lasersku zraku.
- Lasersku zraku nemojte usmjeravati u ljude ili životinje.
- Lasersku zraku nemojte usmjeravati u jako reflektirajući materijal.
- Nemojte umetati tvrde predmete u optiku lasera.
- Optiku na laseru očistite pomoću meke, suhe četke.
- Neka kvalificirani tehničar popravi laser.

Odmah isključite uređaj ako:

- su utičnica, utikač ili kabel oštećeni
- je prekidač za uključivanje / isključivanje oštećen
- vidite dim ili osjetite miris paljenja izolacije

Zaštita od električnog udara

Pri korištenju električnih uređaja uvijek se pridržavajte sigurnosnih pravila koja vrijede u

vašoj zemlji kako biste smanjili opasnost od požara, udara električne struje i ozljeda. Pročitajte sljedeće naputke o sigurnosti kao i priložene naputke o sigurnosti rukovanja vašim uređajem.



Obavezno provjerite odgovara li napon u strujnoj mreži naponu naznačenom na pločici uređaja / etiketi proizvoda.



Uređaj ima prekidač nultog napona. Nakon što se pritisak smanji uređaj neće automatski nastaviti rad iz sigurnosnih razloga. Uređaj je potrebno ponovo pokrenuti na prekidaču.

Zamjena kabela ili utikača

Odmah bacite stare kabele ili utikače nakon što ih zamijenite novima. Opasno je koristiti neispravan kabel ili spajati žice bez izolacije u utikač.

Korištenje produžnih kabela

Koristite samo odobreni produžni kabel primjeren snazi ovog uređaja. Minimalni promjer vodiča je 1.5 mm². Kada koristite namotani kabel, uvijek ga u potpunosti odmotajte.

3. Sastavljanje

Slika B

- stavite podložnu ploču (13) u odgovarajući položaj
- učvrstite stup (11) za podložnu ploču priloženim vijcima (12)
- navucite držač radnog stola (10) s radnim stolom preko stupa (11). Stol se učvršćuje polugom (6)
- sada možete sastaviti kućište bušilice (7) te ga učvrstiti priloženim učvršćivačima (8)
- vreteno je tvornički premazano pa vam preporučamo da „uhodate“ bušilicu tako da je ostavite da radi 15 minuta na najmanjoj brzini



prije nego pričvrstite steznu glavu na osovinu (vreteno) unutrašnjost stezne glave mora biti potpuno očišćena od zaštitnog premaza

Postavljanje stolne bušilice

Prije korištenja bušilica mora biti učvršćena na nepomičnu podlogu. Podložna ploča je zbog toga prilagođena (probušene rupe) pa vijcima možete učvrstiti podložnu ploču za podlogu. Ako bušilicu stavljate na drvenu podlogu, ona mora biti

učvršćena dovoljno velikim brtvenim prstenima sa suprotne strane kako bi se osigurala stabilnost bušilice.



Vijci za učvršćivanje se zatežu onoliko koliko dozvoljava podložna ploča. Podložna ploča ne smije biti pod pritiskom ili deformirana zbog previše zategnutih vijaka. Ako je pritisak prevelik, postoji opasnost od pucanja.

Podešavanje broja okretaja osovine

Slika C

Broj okretaja osovine se podešava pomicanjem V remena na pogonskim koloturnicima. Bušilica je zaštićena sigurnosnim prekidačem tako da se automatski isključuje ako se kućište otvara.

Remen se podešava na slijedeći način:

- otvorite pokrov V remena (14) tako da olabavite vijak s desne strane
- olabavite držač (18) i pomaknite bušilicu u pravcu glave bušilice nakon čega će se V remen otpustiti
- podesite V remen prema tablici na unutrašnjosti pokrova remena
- zategnite V remen ponovo gurajući ploču motora (17) prema natrag. Uređaj za zatezanje se pričvrsti držačem (18)
- zatvorite pokrov V remena i bušilica je spremna za uporabu
- pokrov v remena neka bude zatvoren za vrijeme uporabe bušilice

Slika C i D

V remen je doró zategnut ako ga možete utisnuti otprilike 1 cm. Koloturnik motora mora biti poravnan horizontalno, tako da se remen zaštiti od brzog trošenja i popuštanja. Koloturnik se može pomicati po osovini motora nakon što se olabavi vijak na glavi.

Brzine osovine /vretena

Slika E

Položaj V remena	Broj okretaja /min
1	2650
2	1650
3	1220
4	850
5	580

Broj okretaja i položaja remena možete vidjeti na ilustraciji i u tablici.

Vreteno i glava bušilice

Svi dijelovi bušilice su zaštićeni od korozije u hrđe

zaštitnim lakom. Ovaj se zaštitni sloj lako može odstraniti uporabom ekološki prihvatljivih otapala. Provjerite napetost remena prije nego bušilicu uključite u struju. Vretenište mora biti potpuno očišćeno od zaštitnog premaza. Za to koristite ekološki prihvatljiva otapala. Isto učinite i s glavom bušilice. Jedino tako ćete osigurati dobar prijenos.

4. Rad bušilice, savjeti i upute

Vreteno / osovina ima graničnik dubine koji se može podešavati uz pomoć matice. Podatke o dubini bušenja možete pročitati na skali.

Stezanje svrdla

Slika F

Glava stupne bušilice omogućuje stezanje svrdla i drugih alata cilindričnog oblika. Moment vrtnje se na svrdlo prenosi pomoću napetosti triju steznih hvataljki. Kako biste spriječili isklizavanje svrdla morate ga učvrstiti pomoću nazubljenog kružnog ključa. Ako svrdlo sklizne iz držača, na vrhu svrdla se pojavi mali hrapavi rub, koji onemogućuje centrično stezanje. Ovaj hrapavi rub se svakako treba ukloniti brušenjem.

Stezanje obradka (predmeta bušenja)

Slika G

Podložna ploča i radni stol imaju utore za pričvršćivanje stezača. Uvijek stegnite obradak na kojem radite u stegu uređaja ili drugim steznim alatima. Na ovaj ćete način spriječiti nezgode i povećati točnost pri bušenju jer je obradak u nepomičnom položaju

Podešavanje radnog stola

Slika H

Radni stol je učvršćen za stup bušilice i njegova se visina može podešavati pomoću ručice za podešavanje. Podesite ga tako da ima dovoljno prostora između vrha obradka (predmeta kojega obrađujete) i vrha svrdla. Radni stol možete i rotirati na stranu ako želite obradak učvrstiti direktno na podložnu ploču.

Slika I

Za bušenje pod kutom radni stol se može zakrenuti. Da biste to učinili otpustite šesterokutni vijak (20) na zglobu / šarniru (21) i odstranite oslonac. Zakrenite radni stol (19) u željeni položaj. Ponovno zategnite šesterokutni vijak koristeći odgovarajući alat za to.

Broj okretaja, brzina vrtnje, okretni moment

(sila posmaka)

Okretni moment (sila posmaka) se određuje ručno na trostupnoj poluzi. Brzina vrtnje se određuje brojem okretaja osovine i promjerom svrdla. Odgovarajući izbor posmaka i broja okretaja vretena su od iznimne važnosti za trajnost bušilice. Osnovno pravilo jest da se broj okretaja treba smanjiti što je veći promjer svrdla; što je čvršći obradak (predmet obrađivanja) to veći mora biti pritisak bušenja.

Kako se svrdlo ne bi pregrijalo, okretni moment i brzina okretaja se moraju smanjivati u isto vrijeme. Pri tome se svrdlo mora hladiti uljem za hlađenje. Kad bušite tanke ploče, morate bušiti pažljivo s malim okretnim momentom i malim pritiskom kako biste dobili što precizniji rezultat i kako bi rupa ostala odgovarajuće veličine. Pri dubokom bušenju (više od 2X promjer svrdla) odstranjivanje strugotine je mnogo teže i temperatura svrdla je mnogo veća. Zbog toga smanjite okretni moment i broj okretaja te bušite postepeno, izvlačeći svrdlo kako bi se strugotine lakše mogle odstraniti. Ako bušite s promjerom većim od 8 mm, potrebno je prije bušenja zabušiti rupu čime ćete spriječiti brzo trošenje svrdla i preveliko opterećivanje materijala.

Korištenje lasera (sl. A).

Laser se koristi za procjenu reza na zidu.

- Za uključivanje lasera (8), pritisnite prekidač za uključenje/isključenje (7).
- Za isključivanje lasera (8), pritisnite prekidač za uključenje/isključenje (7).

5. Održavanje



Kada izvodite radnje održavanja bušilice uvjerite se da ona nije u pogonu i da je isključena iz struje.

Ovaj uređaj je predviđen za rad tijekom duljeg vremenskog razdoblja uz minimalno održavanje. Zadovoljavajući učinak uređaja ovisi o pravilnoj njezi i redovitom čišćenju uređaja.

Čišćenje

Ventilacijske otvore održavajte čistima da biste spriječili pregrijavanje bušilice. Redovito čistite bušilicu mekom tkaninom, najbolje nakon svake uporabe. Redovito čistite ventilacijske otvore od prašine i prljavštine. Otpornija onečišćenja odstranite mekom tkaninom, namočenom u laganu sapunicu. Ne koristite otapala poput benzina, alkohola, amonijaka itd. koji mogu oštetiti

plastične dijelove bušilice. Očistite alat odmah nakon uporabe.

Podmazivanje

Svaki ležaj unutar bušilice ja tvornički podmazan i nije potrebno dodatno podmazivanje. S vremena na vrijeme možete podmazati zupčanike i letna pera, mehanizam za podizanje radnog stola, osovinu i zaobljene dijelove. Otvorite pokrov pogonskog remena i pošpricajte malo ulja po vreteništu. Pazite da ulje ne dospije na pogonski remen.

Kvarovi

Ako se pojave kvarovi, npr. nakon dugog korištenja i trošenja, molimo Vas, obratite se ovlaštenom serviseru čiju adresu ćete naći na jamstvenom listu. Na kraju ovoga uputstva naći ćete sliku s dijelovima koji se mogu zamijeniti.

Zaštita okoliša

Radi zaštite okoliša ovaj uređaj se isporučuje u čvrstom pakiranju koje je izrađeno od recikliranog materijala. Molimo vas da iskoristite neku od mogućnosti recikliranja ambalaže.



Oštećeni i neispravni električni uređaji se moraju odlagati na za to predviđenim mjestima gdje će ih se odgovarajuće zbrinuti.

Jamstvo

Uvjeti pod kojima jamčimo za proizvod nalaze se na posebno priloženom jamstvenom listu.

Proizvod i upute za uporabu su podložni promjenama. Opisane značajke proizvoda mogu se mijenjati bez prethodne najave.

ASZTALI OSZLOPOS FÚRÓGÉP

Köszönjük, hogy ezt a Ferm terméket választotta!

Választásával kitűnő géphez jutott, amelyet Európa egyik vezető szállítója forgalmaz.

A Ferm által szállított gépek a legszigorúbb biztonsági és teljesítmény követelményeknek is megfelelnek. Cégfilozófiánk részeként kitűnő ügyfélszolgálatot nyújtunk, mindenre kiterjedő jótállással.

Bízunk benne, hogy sokáig fogja élvezni ezt a terméket.

A szövegben megadott számok a 2–4. oldal ábráira hivatkoznak.



A készülék használata előtt alaposan tanulmányozza át a kezelési útmutatót. Ismerkedjen meg a készülék funkcióival és kezelésének alapjaival. A készüléket a megadott útmutatások szerint szervizelje, hogy biztosítsa megfelelő működését. A kezelési útmutatót és a kisértő dokumentációt tartsa mindig a gép közelében.

Tartalom

1. A gép ismertetése
2. Biztonsági útmutató
3. Összeszerelés
4. A gép kezelése, tanácsok és tippek
5. A gép karbantartása

1. A gép ismertetése

Műszaki adatok

Feszültség	230 V~
Frekvencia	50 Hz
Teljesítményfelvétel	350 W
Üresjáratú fordulatszám	580 – 2 650/perc
Sebességfokozatok száma	5
Tokmány befogadó mérete	13 mm
Súly	18 kg
Lpa (hangnyomásszint):	62 dB (A) K=3
Lwa (zajsztint)	75 dB (A) K=3
Vibráció	< 2,5 m/s ²

Vibrációs szint

A kezelési kézikönyvben megadott vibráció kibocsátási szintet az EN 61029 szabványban előírt egységesített tesztvizsgálattal mértük. Így az egyes szerszámoknál mért vibráció kibocsátási értékek egymással összehasonlíthatók, és

felhasználhatók a vibrációnak való kitettség mértékének előzetes becsüléséhez, amikor a szerszámot az itt említett munkafeladatokhoz használják.

- ha más munkafeladatokra vagy gyengén karbantartott tartozékokkal használják, a vibrációnak való kitettség mértéke jelentősen nagyobb is lehet
- ha beleszámítjuk azokat az időtartamokat is, amikor a szerszám ki van kapcsolva, vagy be van kapcsolva, de nem végeznek vele munkát, a vibrációnak való kitettség mértéke jelentősen kisebb lehet

A szerszám és tartozékainak karbantartásával, kezének melegen tartásával és munkaritmusának megszervezésével védekezzen a vibráció káros hatása ellen

Termékinformáció

A ábra

1. Be- és kikapcsoló
2. Fúrási mélységhatároló
3. Védőburkolat
4. Motor
5. Fúrási mélység állítókarja
6. Asztaltoldal
7. Lézer be/ki kapcsoló
8. Lézer

Eősőr ellenőrizze, hogy a gép nem sérült-e meg szállítás közben, illetve hogy minden alkatrész ez tartozék hiánytalanul benne van-e a csomagban.

2. Biztonsági útmutató

A szimbólumok jelentése

Jelen kezelési útmutatóban a következő szimbólumokkal fog találkozni:



Arra figyelmeztet, hogy a jelen kézikönyvben lefektetett biztonsági előírások be nem tartása személyi sérüléshez, halálos balesethez vagy a szerszám károsodásához vezethet.



Feszültség jelenlétét jelzi.



Karbantartás előtt, illetve a tápkábel sérülése esetén azonnal húzza ki a gép dugaszát a konnektorból.



Tartsa távol a szemlélődőket.



Vigyázz: Lézersugár! Ne nézzon közvetlenül a lézersugárba. A lézersugarat ne irányítsa emberekre vagy állatokra.



Viseljen védőszemüveget és hallásvédőt.

A gép használata közben be kell tartani az alábbiakat:

- Semmilyen elektromos vagy mechanikus védőelemet ne távolítson el a gépről.
- Ellenőrizze, hogy minden védőelem megfelelően a helyére van-e szerelve.
- Fúrás közben viseljen biztonsági védőszemüveget.
- Ha hosszú hajviséletet hord, gondoskodjon hajvédőről (hajháló vagy sapka). A hosszú haj könnyen beakadhat a mozgó alkatrészekbe.
- Testhez simuló ruházatot viseljen. gombolja be a kezelőgombját.
- Fúrás közben ne a kezével tartsa a munkadarabot. Mindig használjon géprögzítőt vagy más leszorító eszközt.
- munkadarabokat és a leszorító eszközöket úgy helyezze el az asztalon, hogy a fűrő ne akadhasson beléjük.
- Rögzítse őket csavarokkal, vagy rögzítse az asztalhoz erősített géprögzítőhöz.
- Ellenőrizze, helyesen van-e rögzítve a fűrőszerszámtartó.
- Ellenőrizze, rendben vannak-e a kábelkivezetések.
- A fűrőforgács eltávolításához csak kézi seprőt, kefé, gumitörőt, forgácskampót vagy hasonló segédeszközt használjon.
- Addig ne végezzen tisztítást vagy zsírzást, amíg a gép működésben van.
- Mindig tartsa az ékszíjakat lefedve (hogy ne kaphassák be a kezét).
- Csak a fogaskerék-koszorús fűrőszerszámtartót húzza meg csavarkulccsal.
- A fűrőszerszámtartó kulcsát soha ne hagyja a fűrőszerszámtartóban! A gép bekapcsolása előtt ellenőrizze, hogy valóban eltávolította-e a kulcsot!
- Ne használjon olyan fűrőfejet, amelynek sérült

a szára.

- A fűrő nem használható nyomószerszámként!
- Ha a tápkábel sérült, csak ugyanolyan típusúra szabad cserélni.

Kiegészítő biztonsági figyelmeztetések a lézerekkel kapcsolatban

- Ne nézzon közvetlenül a lézersugárba.
- A lézersugarat ne irányítsa emberekre vagy állatokra.
- Ne irányítja a lézert erősen tükröződő felületekre.
- Ne helyezzen kemény tárgyakat a lézer optikájába.
- A lézer optikáját puha, száraz kefével tisztítsa.
- A lézert csak képzett műszerész javíthatja.

Azonnal kapcsolja ki a gépet, ha:

- Szakadás van a dugaszban, a tápkábelben vagy sérült a tápkábel.
- Hibás a kapcsoló.
- Füstöt észlel, vagy a vezeték szigetelésének égésétől származó bűzt érez.

Elektromos biztonság

Elektromos gépek használata során mindig tartsa be az országában érvényes biztonsági előírásokat, hogy csökkentse a tűz, áramütés és személyi sérülés veszélyét. Olvassa el a következő biztonsági útmutatásokat és a géphez tartozó biztonsági útmutatásokat is.



Mindig ellenőrizze, hogy a hálózat feszültsége megfelel-e a gép adattábláján feltüntetett feszültségnek.



A gép nullfeszültség kioldóval is fel van szerelve. Ha a feszültség lecsökken, biztonsági okból a gép nem indul automatikusan. Újból be kell kapcsolni.

Kábel vagy dugasz cseréje

Azonnal dobja ki a régi kábeleket és csatlakozókat, miután azokat kicserélte újakra. Lötyögő kábel dugaszát veszélyes a konnektorra dugaszolni.

Hosszabbító kábel használata

Csak jóváhagyott, a gép teljesítményfelvételének megfelelő hosszabbító kábelt használjon. A kábel minimális keresztmetszete: 1,5 mm². Ha kábeldobot használ, a vezetékét mindig teljes hosszában csévélje le a dobrol.

3. Összeszerelés

B ábra

- Tegye a talplemezt (13) a megfelelő helyzetbe.
- Rögzítse az oszlopot (11) a mellékelt csavarokkal (12) a talplemezhez.
- Ezután csúsztassa az asztaltartót (10) az asztallal együtt át az oszlopon (11). A rögzítőfogantyúval (6) az asztal a kívánt helyzetben rögzíthető.
- Ezt követően felszerelheti a gép burkolatát (7), és a zárópecekkel (8) rögzítheti.
- Mivel a fűrőgép tengelyét a gyárban beszüroztuk, ajánlatos a gépet kb. 15 percig a minimális fordulatszámon járattatni.



Mielőtt a tokmányt egy pecekkel (9) a fűrőgép tengelyébe nyomja, a tokmány belsejének teljesen zsírmentesnek kell lennie!

Az asztali fűrőgép üzembe helyezése

Használat előtt rögzített alapra kell szerelni a fűrőgépet. A talplemezbe (13) ezért furatokat készítettünk. Így a talplemez csavarokkal az alaphoz erősíthető.

Ha fa alapra szereli, az ellenkező oldalra elegendő nagyságú alátéteket tegyen, hogy a csavarok ne nyomódjanak bele a fába, és a gép ne lazulhasson ki.



A rögzítőcsavarokat csak annyira húzza meg, hogy a talplemez ne feszüljön és ne deformálódjon. Ha nagyon feszül, el is törhet.

A fűrőgép tengely fordulatszámának állítása

C ábra

A fűrőgép tengelyének fordulatszámát az ékszíj áthelyezésével állíthatja.

Van a gépen egy biztonsági kapcsoló, amely a gépet automatikusan lekapcsolja, amikor a burkolatot kinyitják. Az ékszíj áthelyezése a következő módon történik:

- Nyissa ki az ékszíjfedelelet (14) a fedél jobb oldalán elhelyezkedő csavar meglazításával.
- Lazítsa meg a rögzítógombot (18), majd csúsztassa a motort a gépfej felé, aminek hatására szabaddá válik az ékszíj.
- Állítsa át az ékszíjat az ékszíjfedélen lévő táblázat adatainak megfelelően.
- A motoralaplemez (17) hátrátolásával húzza feszesre az ékszíjat. Ekkor a feszítőeszköz a

rögzítógombbal (18) rögzítve van.

- Zárja vissza az ékszíjfedelelet, és a gép újbóli használatra kész.



Használat közben tartsa lezárva az ékszíjfedelelet.

C és D ábra

Ha átállította az ékszíjat, feszesre kell azt húznia a motor alaplemezével (17) és a rögzítógombbal (18). Az ékszíj feszessége akkor megfelelő, ha az ékszíj kb. 1 cm-re benyomható. A motor ékszíjtárcsájának vízszintesen kell állnia, hogy az ékszíj ne kopjon el és ne lazuljon meg idő előtt. Ezért a motor ékszíjtárcsája (15) a motortengely mentén a hatlapfejű csavar meglazítása után csúsztatható.

A tengely többféle fordulatszám

E ábra

Ékszíj helyzete	Percenkénti fordulatszám
1	2650
2	1650
3	1220
4	850
5	580

Az ékszíj különböző helyzetének megfelelő fordulatszámok az ábrán és a táblázatban olvashatók.

A fűrőgép tengelye és a fűrőfej csapszege

A gép minden fedetlen alkatrésze be van vonva egy védőlakk réteggel a rozsdásodás megelőzése céljából. Ez a védőlakk réteg könnyen eltávolítható környezetbarát oldószerekkel. A gép elektromos hálózatra csatlakoztatása előtt ellenőrizze az ékszíj feszességét. A fűrő tengelyének belsejéből teljes mértékben el kell távolítani a zsírt. Ehhez környezetbarát oldószereket használjon. Ugyanezt tegye a fűrőfej csapszegével. Csak így lesz megfelelő az erőátvitel.

4. A gép kezelése, tanácsok és tippek

Mélységütköző

A fűrő tengelye mélységütközővel van ellátva. Az anyacsavarral ez állítható. A fűrési mélység a skálán leolvasható.

A fűrőszár befogása

F ábra

Az asztali fűrőgép fűrőfejébe fűrőszárat, vagy egyéb hengeres szárú szerszámot foghat be. A

forgatónyomatékot a három szorítópofa viszi át a fúrószárra.

A fúrószárat a fogazott gyűrűs kulccsal elmozdulás ellen rögzíteni kell. Ha a fúrószár a tokmányban elcsúszik, sorja képződik a fúró szárán, ami lehetetlenné teszi a központos rögzítést. Az így képződött sorját csiszolással el kell távolítani.

A munkadarab leszorítása

G ábra

A fúróasztalon és az asztali fúró talplemezén a leszorító eszközök rögzítésére szolgáló vátatok vannak. Mindig szorítsa be a munkadarabot a géprögzítőbe vagy más leszorító eszközökbe. Ily módon megelőzi a baleseteket, sőt nagyobb pontosságú lesz a fúrás, mivel a munkadarab rögzített helyzetben van.

Az asztal állítása

H ábra

A fúróasztal a fúróoszlophoz van rögzítve, és a magassága a rögzítőfogantyú meglazítása után állítható. A fogantyút úgy állítsa, hogy maradjon elég hely a munkadarab felső része és a fúró helye között. Oldalirányban is forgathatja az asztalt, ha a munkadarabot közvetlenül a talplemezre szeretné rögzíteni.

I ábra

Ha ferde fúrásra van szükség ferde támasztófelületen, az asztal forgatható. Ehhez lazítsa ki a hatszögfejű csavart (20) az asztal csuklóillesztésénél (21), és távolítsa el a központosítást. Forgassa az asztalt (19) a kívánt helyzetbe. Ezután húzza meg kulccsal a hatszögfejű csavart (20).

Fordulatszám, forgácsolási sebesség, előtolás
Az előtolást, a fúró előtoló mozgását a 3 ágú fúrókar segítségével kézzel kell végezni. A forgácsolási sebesség a fúró tengelyének fordulatszámától és a fúrószár átmérőjétől függ. Az előtolás és a fúrógép tengely fordulatszámának helyes megválasztása döntő befolyással van a fúrógép élettartamára. Az alapszabály a következő: nagyobb átmérőjű fúrószár használatánál kisebbre kell állítani a fordulatszámot; minél nagyobb a munkadarab szilárdsága, annál nagyobb nyomóerőt kell alkalmazni.

A fúró túlmelegedésének megelőzése végett csökkenteni kell az előtolást és a forgácsolási

sebességet. Ezenkívül a fúrót olajjal hűteni kell. Ha vékony lemezbe nagy átmérőjű furatot készítünk, kis előtolást és kis nyomóerőt kell alkalmazni, hogy az eredmény pontos legyen, és a furat mérete megfelelő maradjon. Mély (a fúró átmérőjének kétszeresét meghaladó) furatok készítésénél nehezebb a forgácsoló eltávolítani, és a fúró jobban felmelegszik. Ezért csökkentse az előtolást és a fordulatszámot, valamint a forgács jobb eltávolítása végett rendszeres időközönként húzza vissza a fúrót. 8 mm-nél nagyobb átmérőjű furat készítésénél előfúrást kell végezni, hogy elkerüljük a fúrószár fő vágóélének idő előtti kopását, és ne terheljük túlságosan a fúrási pontot.

Lézer használata (A. ábra)

A lézer a falon lévő vágás kivetítéséhez kell.

- A lézer (8) bekapcsolásához nyomja meg a be/ki kapcsolót (7).
- A lézer (8) kikapcsolásához engedje ki a be/ki kapcsolót (7).

5. A gép karbantartása



A motor karbantartása előtt gondoskodjon arról, hogy a gép ne legyen áram alatt.

A gépet úgy terveztük, hogy minimális karbantartással lehessen hosszabb ideig használni. A gép folyamatos és kielégítő működése függ a megfelelő gondozástól és a rendszeres tisztítástól is.

A gép tisztítása

Tartsa tisztán a gép szellőzőnyílásait, hogy megelőzze a gép túlmelegedését. Rendszeresen, lehetőleg minden egyes használat után puha ronggyal törölje át a gép burkolatát. Tartsa a szellőzőnyílásokat portól és szennyeződéstől mentesen. Ha a szennyeződés nem jön le puha ronggyal, szappanos vízben megnedvesített puha ronggyal távolítsa el. Soha ne tisztítsa oldószerekkel (például benzin, alkohol, ammónia oldat stb.). Ezek az árthatnak a műanyag részeknek.

Kérjük, hogy használat után azonnal tisztítsa meg a gépet.

Kenés

A fúrógép minden csapágát gyárilag megkentük. További kenés nem szükséges. Időnként viszont meg kell zsírozni a tartókereteket és a

hajtókereket, az asztalemelő szerkezetet, a tengelyt és a csőtengely hornyait. Nyissa fel az ékszíjfedelet, és fecskendezzen egy kevés olajat a tengelyszárra. Vigyázzon arra, hogy az ékszíj ne érje olaj!

Hibák

Meghibásodás esetén (pl. ha elkopik egy alkatrész), lépjen kapcsolatba a szervizzel, amelynek címét a garanciaártyán találja. Kézikönyvünk végén találja a megrendelhető alkatrészek robbantott ábráit.

Környezetvédelem

A szállítás közbeni sérülések megelőzése céljából a gépet alaposan becsomagoltuk. Ehhez jórészt újrahasznosítható anyagokat használtunk fel. Ezért kérjük, tegye lehetővé a csomagolóanyagok újrahasznosítását.



A sérült és/vagy kiselejtezett elektromos vagy elektronikus készülékeket el kell juttatni egy erre a célra kijelölt hulladékhasznosító telepre.

Garancia

A garanciális feltételek megtalálhatók a külön mellékelt garanciaártyán.

A termékben és a felhasználói kézikönyvben a későbbiekben előfordulhatnak módosítások. A műszaki adatok előzetes értesítés nélkül is módosíthatók.

STOLOVÁ SLOUPOVÁ VRTAČKA

Děkujeme vám za zakoupení tohoto výrobku značky Ferm.

Nyní máte k dispozici vynikající výrobek dodávaný jedním z hlavních evropských dodavatelů. Všechny výrobky dodávané společností Ferm jsou vyráběny podle požadavků nejnáročnějších norem týkajících se výkonu a bezpečnosti. Jako součást naší firemní filozofie poskytujeme také vynikající zákaznický servis, který je podporován naší komplexní zárukou. Doufáme, že vám náš výrobek bude řádně sloužit mnoho let.

Čísla v následujícím textu odkazují na obrázky na stranách 2 až 4.



Před použitím tohoto zařízení si pečlivě přečtěte tento návod k obsluze.

Seznamte se z jeho funkcemi a základní obsluhou. Provádějte údržbu tohoto zařízení podle uvedených pokynů, aby byla stále zajištěna jeho správná funkce. Tento návod k obsluze a příložená dokumentace musí být stále uloženy v blízkosti tohoto zařízení.

Obsah

1. Informace o stroji
2. Bezpečnostní pokyny
3. Montáž
4. Obsluha, rady a tipy
5. Údržba

1. Informace o stroji

Technické údaje

Napájecí napětí	230 V
Frekvence	50 Hz
Příkon	350 W
Otáčky naprázdno	580 - 2 650/min
Počet převodových stupňů	5
Kapacita sklíčidla	13 mm
Hmotnost	18 kg
L _{pa} (akustický tlak)	62 dB(A) K = 3
L _{wa} (akustický výkon)	75 dB(A) K = 3
Vibrace	< 2,5 m/s ²

Vibrace

Deklarovaná úroveň vibrační uvedená v tomto návodu byla měřena v souladu se standardní zkušební metodou předepsanou normou EN 61029. Tato úroveň vibrační může být použita pro srovnání jednotlivých nářadí mezi sebou a také při předběžném posouzení působících vibrační při používání nářadí při uvedených aplikacích.

- Použití tohoto nářadí pro jiné aplikace nebo s odlišným nebo špatně udržovaným příslušenstvím může značně zvýšit působení vibrační.
- Doba, kdy je nářadí vypnuto nebo kdy je v chodu, ale aktuálně nevykonává žádnou práci, může působení vibrační značně zkrátit.

Chraňte se před působením vibrační prováděním řádné údržby tohoto nářadí i jeho příslušenství, udržujte ruce v teple a provádějte práci správným způsobem.

Informace o výrobku

Obr. A

1. Spínač zapnuto/vypnuto
2. Ukazatel hloubky vrtání
3. Ochranný kryt
4. Motor
5. Páka hloubky vrtání
6. Tabulka nastavení
7. Spínač zapnuto/vypnuto pro laser
8. Laser

Nejdříve zkontrolujte, zda nedošlo k poškození výrobku během přepravy a zda máte k dispozici všechny potřebné díly.

2. Bezpečnostní pokyny

Popis použitých symbolů

V tomto návodu k obsluze jsou použity následující piktogramy:



Upozorňuje na riziko zranění osob, ztráty života nebo poškození nářadí, nebudou-li dodržovány pokyny uvedené v tomto návodu.



Upozorňuje na přítomnost elektrického napětí.



Dojde-li k poškození napájecího kabelu a při každém provádění údržby vždy ihned odpojte zástrčku napájecího kabelu od síťové zásuvky.



Udržujte ostatní osoby v bezpečné vzdálenosti.



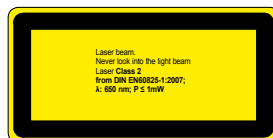
Pozor: Laserový paprsek! Nedívejte se přímo do laserového paprsku. Nemířte laserovým paprskem přímo na osoby nebo na zvířata.



Používejte ochranu zraku a sluchu.

Během použití musí být dodržovány následující pokyny:

- Neodstraňujte žádná mechanická nebo ochranná zařízení.
- Zkontrolujte, zda jsou všechna ochranná zařízení na svých místech a zda jsou správně upevněna.
- Používejte během vrtání ochranné brýle.
- Máte-li dlouhé vlasy, používejte vhodnou pokrývku hlavy (síťka na vlasy nebo čepice). Dlouhé vlasy mohou být snadno zachyceny pohybujícími se díly.
- Noste zapnutý oděv, zapněte si knoflíky na rukávech.
- Při vrtání nikdy nedržte žádný obrobek rukama. Vždy použijte upínací svorku nebo jiný upínací přípravek.
- Dávejte pozor na obrobky a upínací přípravky, abyste zabránili jejich zachycení. Upevněte je pomocí šroubů nebo je upněte upínací svorkou, která je upevněna ke stolu.
- Zkontrolujte, zda je řádně utaženo sklíčidlo.
- Zkontrolujte, zda jsou v pořádku průchodky pro kabel.
- Při odstraňování pilin používejte pouze kartáče, gumové stěrky, háčky na špony nebo jiné podobné pomůcky.
- Neprovádějte žádné čištění nebo mazání, je-li tento stroj v chodu.
- Dbejte na to, aby byly klínové řemeny vždy zakryty (aby nemohlo dojít k zachycení vašich rukou).
- Utahuje ozubený kroužek sklíčidla pouze pomocí klíče.
- Nikdy nenechávejte klíč sklíčidla ve sklíčidle! Před zapnutím stroje zkontrolujte, zda opravdu došlo k odstranění tohoto klíče!
- Nepoužívejte žádné vrtáky, které mají poškozenou upínací stopku.
- Vrtačka není vhodná pro to, aby byla používána jako lis!
- Je-li poškozen napájecí kabel, může být nahrazen pouze napájecím kabelem stejného typu.



Doplňková bezpečnostní varování pro lasery

- Nedívejte se přímo do laserového paprsku.
- Nemiřte laserovým paprskem přímo na osoby nebo na zvířata.
- Nemiřte laserovým paprskem přímo na materiály způsobující silný odraz.
- Dbejte na to, aby nedocházelo ke kontaktu optiky laseru s tvrdými předměty.
- Čistěte optiku laseru pomocí měkkého a suchého kartáče.
- Svěřte opravu laseru pouze kvalifikovanému technikovi.

V následujících případech proveďte okamžitě vypnutí stroje:

- Dojde-li k přerušení napájení nebo k poškození napájecího kabelu.
- Dojde-li k poškození spínače.
- Objeví-li se kouř nebo zápach spálené izolace.

Elektrická bezpečnost

Používáte-li elektrická zařízení, vždy dodržujte platné bezpečnostní předpisy, aby bylo omezeno riziko způsobení požáru, úrazu elektrickým proudem nebo zranění osob. Přečtěte si následující bezpečnostní pokyny i přiložené bezpečnostní pokyny.



Vždy zkontrolujte, zda se napájecí napětí sítě shoduje s napájecím napětím na výkonovém štítku.



Tento stroj je vybaven spínačem nulového napětí. Při poklesu napětí nedojde z bezpečnostních důvodů k automatickému opětovnému spuštění. Stroj musí být opět znovu zapnutý.

Výměna kabelů nebo zástrček

Po výměně napájecích kabelů nebo zástrček, staré kabely a zástrčky ihned zlikvidujte. Připojení zástrčky poškozeného kabelu k síťové zásuvce je velmi nebezpečné.

Použití prodlužovacích kabelů

Používejte pouze schválený prodlužovací kabel, který je vhodný pro příkon tohoto stroje. Minimální průřez vodiče je 1,5 mm². Používáte-li cívku s kabelem, vždy z cívky odvíhnete celý kabel.

3. Montáž

Obr. B

- Nastavte základnu vrtačky (13) do správné polohy.
- Připevněte sloupek (11) pomocí dodaných šroubů (12) k základně vrtačky.
- Nyní nasuňte držák stolu (10) se stolem na sloupek (11). Stůl je pomocí upevňovací rukojeti (6) upevněn v požadované poloze.
- Nyní můžete na sloupek nasadit skříň vrtačky (7) a můžete ji upevnit pomocí zajišťovacích kolíků (8).
- Protože je vřeteno vrtačky namazáno ve výrobním závodě, je vhodné, aby byl stroj spuštěn v nejnižších otáčkách po dobu zhruba 15 minut.



Než zatlačíte sklíčidlo s kolíkem (9) do vřetena vrtačky, vnitřní část sklíčidla musí být zcela zbavena mazi!

Nastavení vrtačky

Před použitím musí být vrtačka namontována na pevnou základnu. Základna vrtačky (13) je proto opatřena vyvrtanými otvory. Tak může být základna vrtačky připevněna k základně pomocí šroubů.

Je-li vrtačka namontována na dřevěnou desku, na opačné straně musí být použity dostatečně velké podložky, aby nedocházelo k zatlačování šroubů do dřeva a aby nemohlo dojít k uvolnění stroje.



Montážní šrouby by měly být utaženy tak, aby nedocházelo k velkému tlaku na základnu pily nebo k deformaci této základny. Je-li tlak na základnu příliš velký, hrozí riziko jejího prasknutí.

Nastavení otáček vřetena vrtačky

Obr. C

Nastavením klínového řemenu na hnací řemenici mohou být nastaveny různé otáčky vřetena vrtačky. Stroj je chráněn bezpečnostním spínačem, který provádí vypnutí stroje, dojde-li k otevření skříňové vrtačky. Provádějte přesunutí klínového řemenu následovně:

- Otevřete kryt klínového řemenu (14) uvolněním šroubu na pravé straně krytu.
- Povolte upevňovací tlačítko (18) a posuňte motor směrem k hlavě vrtačky, pod kterou je uvolněn klínový řemen.
- Přesuňte klínový řemen podle tabulky, která

se nachází na vnitřní části krytu klínového řemenu.

- Znovu napněte klínový řemen zatlačením desky motoru (17) směrem dozadu. Potom je napínací zařízení upevněno pomocí upevňovacího tlačítka (18).
- Uzavřete kryt klínového řemenu a stroj bude opět připraven k použití.



Dbejte na to, aby byl kryt klínového řemenu během provozu stále uzavřen.

Obr. C a D

Provedete-li přesunutí klínového řemenu, musíte tento řemen znovu utáhnout pomocí desky motoru (17) s upevňovacím tlačítkem (18). Napnutí řemenu je správné, můžete-li klínový řemen stisknout tak, aby byl jeho průhyb asi 1 cm. Řemenice motoru musí být srovnána v horizontálním směru tak, aby bylo zabráněno předčasnému opotřebenosti nebo uvolnění klínového řemenu. Proto může být řemenice motoru (15) na motoru po uvolnění šroubu s hlavou s vnitřním šestihranem posunuta po hřídeli motoru.

Otáčky vřetena

Obr. E

Poloha klínového řemenu	Počet otáček za minutu
1	2 650
2	1 650
3	1 220
4	850
5	580

Počet otáček vřetena vrtačky při nastavení klínového řemenu můžete zjistit z tabulky a obrázku.

Vřeteno vrtačky a kolík hlavy vrtačky

Všechny nekryté části stroje jsou opatřeny ochrannou vrstvou laku, který zabraňuje působení koroze. Tato ochranná vrstva laku může být snadno odstraněna pomocí rozpouštědel šetrných k životnímu prostředí. Před připojením tohoto stroje k elektrické síti vyzkoušejte napnutí klínového řemenu. Vnitřní část vřetena vrtačky musí být zcela zbavena maziva. Používejte pro tento účel rozpouštědla šetrná k životnímu prostředí. Stejným způsobem postupujte i u kolíku hlavy vrtačky. Správného přenosu může být dosaženo pouze tímto způsobem.

4. Obsluha, rady a tipy

Hlubkový doraz

Vřeteno vrtačky je opatřeno hlubkovým dorazem. Může být nastaven pomocí matice. Hloubku vrtání můžete odečítat na příslušném měřítku.

Upínání vrtáku

Obr. F

V hlavě vrtačky mohou být upnuty vrtáky nebo jiné pracovní nástroje s válcovou upínací stopkou. Hnací moment je přenášen na vrták pomocí upínací síly tří upínacích čelistí.

Chcete-li zabránit prokluzování vrtáku, musíte jej upnout pomocí klíče na ozubený kroužek. Dojde-li k vyklouznutí vrtáku ze sklíčidla, na upínací stopce vrtáku se objeví malé otřepy, které znemožní centrální upnutí vrtáku. Vzniknou-li tímto způsobem na vrtáku nějaké otřepy, musí být v každém případě odstraněny broušením.

Upínání obrobku

Obr. G

Stůl vrtačky a základna vrtačky jsou opatřeny drážkami pro upevnění upínacích nástrojů. Vždy proveďte upnutí obrobku v upínací sorce nebo v jiném upínacím přípravku. Tímto způsobem zabráníte nehodám a dokonce zvýšíte přesnost vrtání, protože výrobek bude v nehybné poloze.

Nastavení pracovního stolu

Obr. H

Pracovní stůl vrtačky je připevněn na sloup vrtačky a po uvolnění upevňovací rukojeti může být nastaven do požadované výšky. Nastavte pracovní stůl takovým způsobem, aby byl mezi horní částí obrobku a hrotem vrtáku stále dostatečně velký prostor. Přejete-li si upnout obrobek přímo k základně vrtačky, můžete pracovní stůl také odklopit stranou.

Obr. I

Pracovní stůl může být sklopen také v případě, chcete-li provádět šikmé vrtání nebo potřebujete-li naklonit plochu obrobku. V takovém případě povolte šroub se šestihranou hlavou (20) v místě závěsu (21) pracovního stolu. Otočte pracovní stůl (19) do požadované polohy. Potom řádně utáhněte šroub se šestihranou hlavou (20) pomocí vhodného klíče.

Počet otáček, rychlost otáčení, posuv Posuv - posuvný pohyb vrtáku - je prováděn rukou pomocí páky vrtačky s 3 rameny. Rychlost otáčení je určena počtem otáček vřetena vrtačky a průměrem vrtáku. Správná volba posuvu a počtu otáček vřetena vrtačky jsou rozhodujícími faktory pro provozní životnost vrtáku. Následující informaci použijte jako základní pravidlo: u většího průměru vrtáku musí být nastaven nižší počet jeho otáček, čím vyšší je pevnost obrobku, tím vyšší musí být vyvíjen tlak na vrtaný obrodek.

V takovém případě zmenšete posuv vrtáku a současně snižte jeho otáčky, aby nedošlo k přehřátí vrtáku. Mimoto musí být vrták chlazen chladicím olejem. U tenkých plechů musí být poměrně velké otvory vrtány opatrně s malým posuvem a malým tlakem, aby bylo dosaženo přesných výsledků a aby měly vyvrtané otvory správnou velikost.

Při vrtání hlubokých děr (hloubka dvakrát větší než průměr vrtáku) je obtížnější odstraňování pilin a teplota vrtáku je vyšší. Proto zmenšete posuv a počet otáček a pravidelným zvedáním vrtáku zajistíte lepší odstraňování pilin. Při vrtání s vrtáky s průměrem větším než 8 mm musí být provedeno předvrtání, aby bylo zabráněno předčasnému opotřebenému hlavního břítu vrtáku a aby nebylo nadměrně zatěžováno místo vrtání.

Použití laseru (obr. A)

- Chcete-li zapnout laser (8), stiskněte spínač zapnuto/vypnuto (7).
- Chcete-li laser vypnout (8), uvolněte spínač zapnuto/vypnuto (7).

5. Údržba



Před prováděním údržby motoru se ujistěte, zda je stroj odpojen od napájecího napětí.

Tento stroj je navržen tak, aby pracoval dlouhou dobu s minimálními nároky na údržbu. Nepřetržitý uspokojivý provoz závisí na řádné péči a na pravidelném čištění.

Čištění

Udržujte větrací drážky na stroji v čistotě, abyste zabránili přehřátí motoru. Pravidelně čistěte kryt stroje navlhčeným měkkým hadrem, pokud možno po každém použití. Dbejte na to, aby nebyly větrací drážky zaneseny prachem a jinými nečistotami. Nemůžete-li nečistoty odstranit,

použijte měkký hadřík navlhčený v mýdlovém roztoku. Nikdy nepoužívejte rozpouštědla, jako jsou benzín, líh, čpavek atd., protože tato rozpouštědla mohou poškodit plastové díly. Čistěte prosím toto nářadí ihned po použití.

Mazání

Každé ložisko v této vrtačce je namazáno ve výrobním závodě. Další mazání není nutné. Čas od času byste měli namazat ozubnice a pastorky, zvedací mechanismus pracovního stolu, vřeteno a drážky na dutém hřídeli. Otevřete kryt hnacího řemenu a postříkejte lehce olejem hřídel vřetena. Dávejte pozor, aby se olej nedostal na klínový řemen!

Závady

Dojde-li k závadě, například opotřebením dílu, kontaktujte prosím autorizovaný servis na adrese, která je uvedena na záručním listě. Na konci tohoto návodu naleznete rozkreslenou sestavu nářadí, kde jsou zobrazeny díly, které si můžete objednat.

Ochrana životního prostředí

Abyste zabránili poškození pily během přepravy, je toto zařízení dodáváno v pevném obalu, který se skládá převážně z materiálů vhodných pro recyklaci. Proto prosím využijte možnost recyklace obalových materiálů.



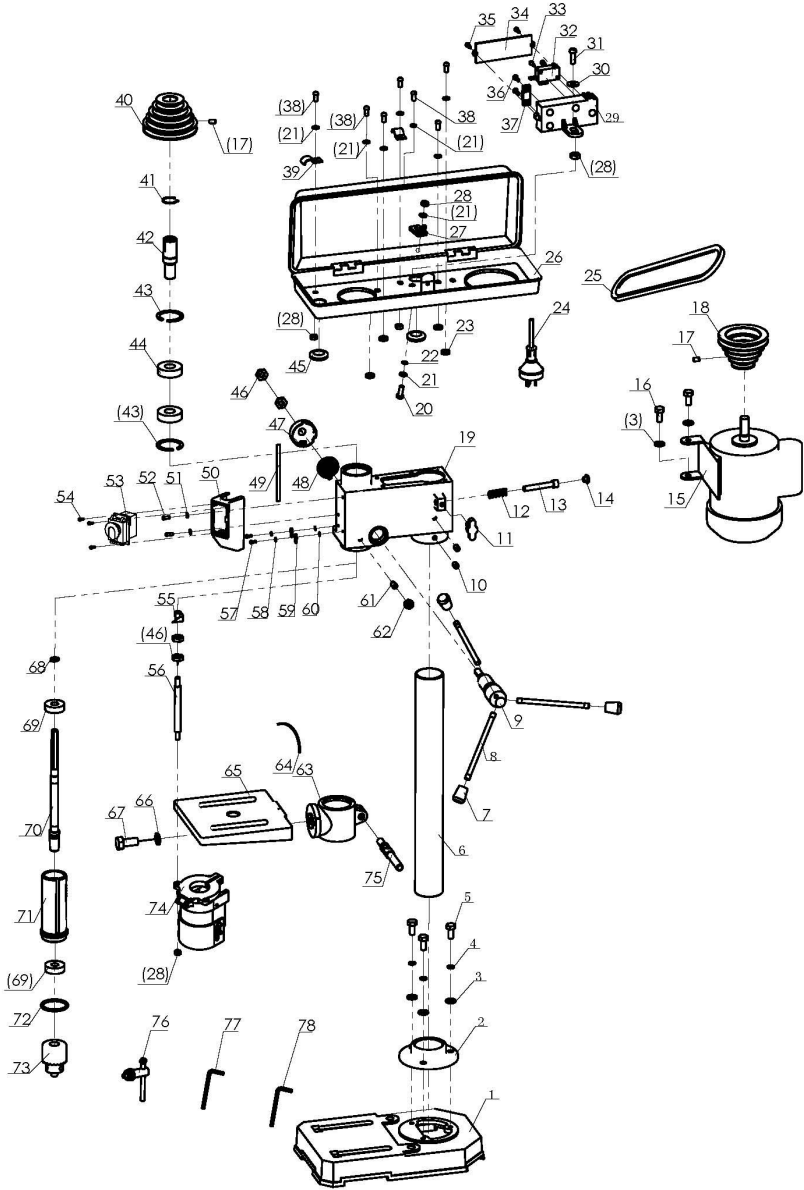
Poškozená a likvidovaná elektrická nebo elektronická zařízení musí být odevzdána ve sběrných dvorech, které jsou určeny pro tento účel.

Záruka

Přečtěte si záruční podmínky na samostatně dodávaném záručním listě.

Na tomto výrobku a v tomto návodu mohou být prováděny změny. Technické údaje mohou být změněny bez předchozího upozornění.

Exploded view



Spare parts list

TDM1025 - BENCH PILLAR DRIL

Position	Description	No.
7+8	Handle	105334
25	V-Belt K690	105335
26	V-Belt cover	105336
28-37	Microswitch	105337
47	Cap spring	105338
48	Spring tension	105339
50	Switch cover	105340
53	Switch	105341
56+55	Depth adjustment assembly	105342
73+76	Chuck + key	105343
74	Chuck guard	105344
-	MV-65N Machine clamp	TDA1013



DECLARATION OF CONFORMITY TDM1025, BENCH PILLAR DRILL

- (EN) We declare under our sole responsibility that this product is in conformity with directive 2011/65/EU of the European parliament and of the council of 9 June on the restriction of the use of certain hazardous substances in electrical and electronic equipment is in conformity and accordance with the following standards and regulations:
- (DE) Der Hersteller erklärt eigenverantwortlich, dass dieses Produkt der Direktive 2011/65/EU des Europäischen Parlaments und des Rats vom 8. Juni 2011 über die Einschränkung der Anwendung von bestimmten gefährlichen Stoffen in elektrischen und elektronischen Geräten entspricht. den folgenden Standards und Vorschriftenen entspricht:
- (NL) Wij verklaren onder onze volledige verantwoordelijkheid dat dit product voldoet aan de conform Richtlijn 2011/65/EU van het Europees Parlement en de Raad van 8 juni 2011 betreffende beperking van het gebruik van bepaalde gevaarlijke stoffen in elektrische en elektronische apparatuur en in overeenstemming is met de volgende standaarden en reguleringen.
- (FR) Nous déclarons sous notre seule responsabilité que ce produit est conforme aux standards et directives suivants: est conforme à la Directive 2011/65/EU du Parlement Européen et du Conseil du 8 juin 2011 concernant la limitation d'usage de certaines substances dangereuses dans l'équipement électrique et électronique.
- (ES) Declaramos bajo nuestra exclusiva responsabilidad que este producto cumple con las siguientes normas y estándares de funcionamiento: se encuentra conforme con la Directiva 2011/65/UE del Parlamento Europeo y del Consejo de 8 de junio de 2011 sobre la restricción del uso de determinadas sustancias peligrosas en los equipos eléctricos y electrónicos.
- (PT) Declaramos por nossa total responsabilidade de que este produto está em conformidade e cumpre as normas e regulamentações que se seguem: está em conformidade com a Directiva 2011/65/UE do Parlamento Europeu e com o Conselho de 8 de Junho de 2011 no que respeita à restrição de utilização de determinadas substâncias perigosas existentes em equipamento eléctrico e electrónico.
- (IT) Dichiariamo, sotto la nostra responsabilità, che questo prodotto è conforme alle normative e ai regolamenti seguenti: è conforme alla Direttiva 2011/65/UE del Parlamento Europeo e del Consiglio dell'8 giugno 2011 sulla limitazione dell'uso di determinate sostanze pericolose nelle apparecchiature elettriche ed elettroniche.
- (SV) Vi garanterar på eget ansvar att denna produkt uppfyller och följer följande standarder och bestämmelser: uppfyller direktiv 2011/65/EU från Europeiska parlamentet och EG-rådet från den 8 juni 2011 om begränsningen av användning av farliga substanser i elektrisk och elektronisk utrustning.
- (FI) Vakuutamme yksinomaan omalla vastuullamme, että tämä tuote täyttää seuraavat standardit ja sääädökset: täyttää Euroopan parlamentin ja neuvoston 8. kesäkuuta 2011 päivätyn direktiivin 2011/65/EU vaatimukset koskien vaarallisten aineiden käytön rajoitusta sähkö- ja elektroniikassa laitteissa.
- (NO) Vi erklærer under vårt eget ansvar at dette produktet er i samsvar med følgende standarder og regler: er i samsvar med EU-direktivet 2011/65/EU fra Europa-parlamentet og Europa-rådet, pr. 8 juni 2011, om begrensning i bruken av visse farlige stoffer i elektrisk og elektronisk utstyr.
- (DA) Vi erklærer under eget ansvar, at dette produkt er i overensstemmelse med følgende standarder og bestemmelser: er i overensstemmelse med direktiv 2011/65/EU fra Europa-Parlamentet og Rådet af 8. juni 2011 om begrænsning af anvendelsen af visse farlige stoffer i elektrisk og elektronisk udstyr.
- (HU) Felelősségünk teljes tudatában kijelentjük, hogy ez a termék teljes mértékben megfelel az alábbi szabványoknak és előírásoknak: je v souladu se směrnicí 2011/65/EU Evropského parlamentu a Rady EU ze dne 8. června 2011, která se týká omezení použití určitých nebezpečných látek v elektrických a elektronických zařízeních.
- (CS) Na naši vlastní zodpovědnost prohlašujeme, že je tento výrobek v souladu s následujícími standardy a normami: Je v souladu s normou 2011/65/EU Evropského parlamentu a Rady z 8. júna 2011 týkajúcej sa obmedzenia používania určitých nebezpečných látok v elektrickom a elektronickom vybavení.
- (SK) Vyhlasujeme na našu výhradnú zodpovednosť, že tento výrobok je v zhode a súlade s nasledujúcimi normami a predpismi: Je v súlade s normou 2011/65/EU Európskeho parlamentu a Rady z 8. júna 2011 týkajúcej sa obmedzenia používania určitých nebezpečných látok v elektrickom a elektronickom vybavení.
- (SL) S polno odgovornostjo izjavljamo, da je ta izdelek v skladu in da odgovarja naslednjim standardom terpredpisom: je v skladu z direktivo 2011/65/EU Evropskega parlamenta in Sveta z dne 8. junij 2011 o omejevanju uporabe določenih nevarnih snovi v električni in elektronski opremi.
- (PL) Deklarujemy na własną odpowiedzialność, że ten produkt spełnia wymogi zawarte w następujących normach i przepisach: jest zgodny z Dyrektywą 2011/65/UE Parlamentu Europejskiego i Rady z dnia 8 czerwca 2011 r. w sprawie ograniczenia stosowania niektórych niebezpiecznych substancji w sprzęcie elektrycznym i elektronicznym.
- (LT) Prisiimdami visą atsakomybę deklaruojame, kad šis gaminyz atitinka žemiau paminėtų standartus arba nuostatus: atitinka 2011 m. birželio 8 d. Europos Parlamento ir Tarybos direktyvą 2011/65/EB dėl tam tikrų pavojingų medžiagų naudojimo elektros ir elektroninėje įrangoje apribojimo.
- (LV) Ir atbilstoši Eiropas Parlamenta un Padomes 2011. gada 8. jūnija Direktīvai 2011/65/ES par dažu bīstamu vielu izmantošanas ierobežošanu elektriskās un elektroniskās iekārtās.
- (ET) Apgalvojam ar visu atbildību, ka šis produkts ir saskanā un atbilst sekojošiem standartiem un nolikumiem: ir atbilstoši Eiropas Parlamenta un Padomes 2011. gada 8. jūnija Direktīvai 2011/65/ES par dažu bīstamu vielu izmantošanas ierobežošanu elektriskās un elektroniskās iekārtās.
- (RO) Declaram prin aceasta cu raspundere deplina ca produsul acesta este in conformitate cu urmatoarele standarde sau directive: este in conformitate cu Directiva 2011/65/UE a Parlamentului European și a Consiliului din 8 iunie 2011 cu privire la interzicerea utilizării anumitor substanțe periculoase la echipamentele electrice și electronice.
- (HR) Izjavljamo pod vlastitom odgovornošću da je strojem ukladan sa slijedećim standardima ili standardiziranim dokumentima i u skladu sa odredbama: usklađeno s Direktivom 2011/65/EU europskog parlamenta i vijeća izdanom 8. lipnja 2011. o ograničenju korištenja određenih opasnih tvari u električnoj i elektroničkoj opremi.
- (SR) Pod punom odgovornošću izjavljujemo da je usaglašen sa sledećim standardima ili normama: usaglašen sa direktivom 2011/65/EU Evropskog parlamenta i Saveta od 8.juna.2011. godine za restrikciju upotrebe određenih opasnih materija u električnoj i elektronskoj opremi.
- (RU) Под свою ответственность заявляем, что данное изделие соответствует следующим стандартам и нормам: соответствует требованиям Директивы 2011/65/ЕU Европейского парламента и совета от 8 июня 2011 г. по ограничению использования определенных опасных веществ в электрическом и электронном оборудовании
- (UK) Na svojo vlasnu odgovornost izjavljamo, što dane obiladnanje vidpovidaє nastupnim standardam i normativam: zadovoljavaє vimozi Direktive 2011/65/EC Evropskeghego Parlamenta u Rady vid 8.červnja 2011 roku na obmeženja vikoristanja devjeh nebezpečnih rečovini v električnom ta elektronnomo obiladnanju.
- (EL) Δηλώνουμε υπεύθυνα ότι το προϊόν αυτό συμμορφώνεται με τρεις παρακάτω κανονισμούς και πρότυπα: συμμορφώνεται με την Οδηγία 2011/65/ΕΕ του Ευρωπαϊκού Κοινοβουλίου και του Συμβουλίου της 8ης Ιουνίου 2011 για τον περιορισμό της χρήσης ορισμένων επικίνδυνων ουσιών σε ηλεκτρικό και ηλεκτρονικό εξοπλισμό

EN 55014-1, EN 55014-2, EN 61000-3-2, EN 61000-3-3, EN 61029-1, EN 60825-1

2006/42/EC, 2006/95/EC, 2004/108/EC, 2002/96/EC, 2011/65/EU

Zwolle, 01-06-2013


I. Mönnink
CEO Ferm BV

It is our policy to continuously improve our products and we therefore reserve the right to change the product specification without prior notice.

Ferm BV • Lingenstraat 6 • 8028 PM • Zwolle The Netherlands

