



Model MPX 150 L

Version: **MPX 150 L (11)**

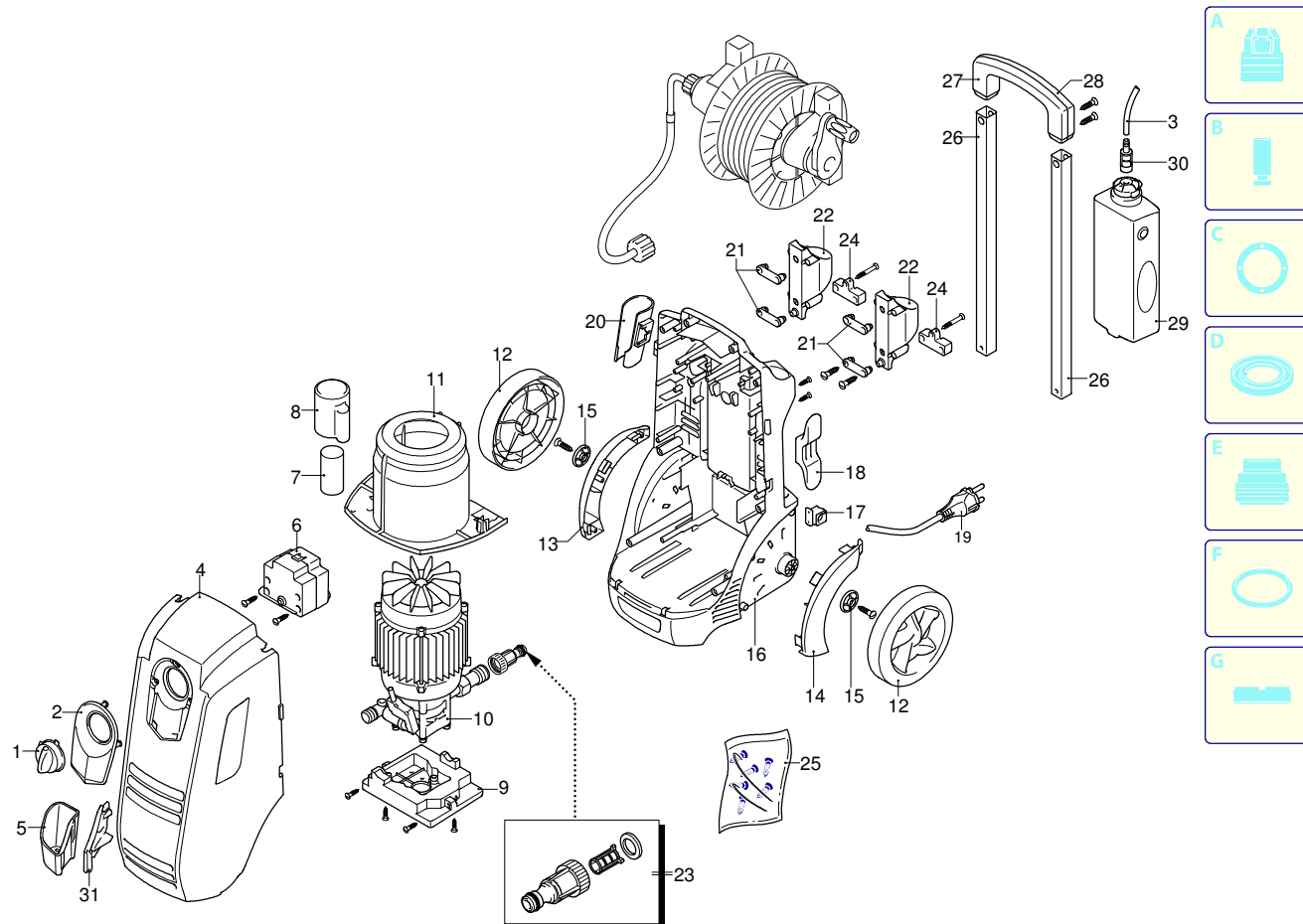
Serial number:

Code: **13068**

24/01/2011

230 V - 50 Hz

schuko



Validity	Pos.	Code	Description	Q
	1	3440301	Knob	1
	2	3440420	Support	1
	3	3440730	Pipe	1
	4	3440411	Casing	1
	5	3440440	Accessories carrier	1
	6	3441060	Switch	1
	7	3081620	Capacitor	1
	8	3440771	Capacitor carrier	1
	9	3440781	Support	1
	10	3441190	Electric pump assembly	1
	11	3440801	Conveyor	1
	12	3440480	Wheel	2
	13	3440490	Guard	1
	14	3440500	Guard	1
	15	3440510	Washer	2
	16	3440521	Base	1
	17	3080580	Cable gland	1
	18	3440530	Accessories carrier	1
	19	3082090	Cable	1
	20	3440430	Accessories carrier	1
	21	3440551	Support	4
	22	3440821	Support	2
	23	3082130	Water coupling kit	1
	24	3440671	Support	2
	25	3440630	Screw kit	1
	26	3440680	Extension	2
	27	3440690	Handle	1
	28	3440700	Handle	1
	29	3440710	Tank	1
	30	3440720	Filter	1
	31	3441230	Hook	1



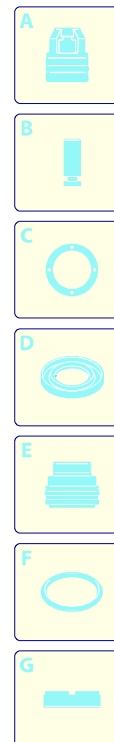
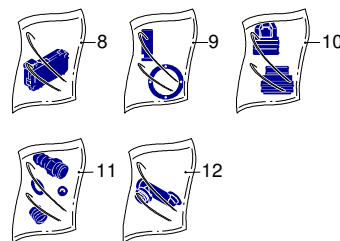
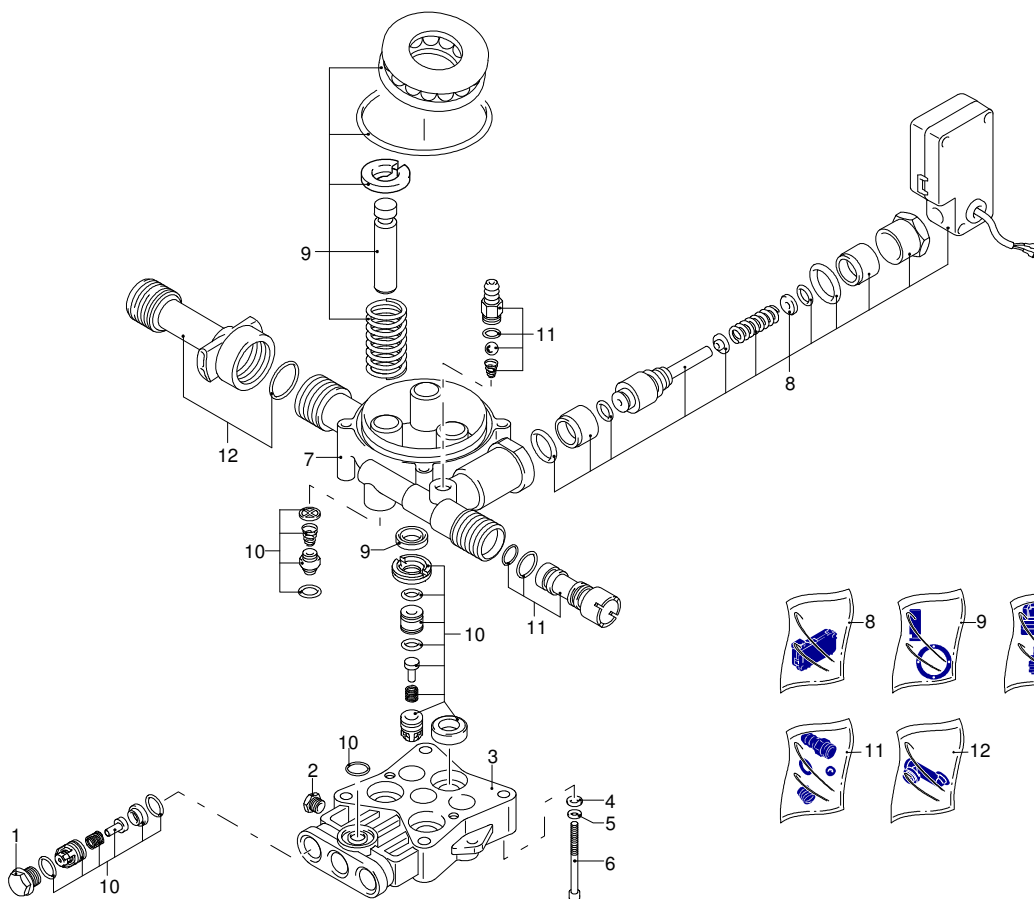
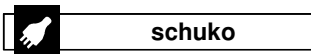
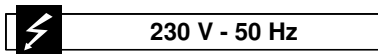
Model MPX 150 L

Version: **MPX 150 L (11)**

Serial number:

Code: **13068**

24/01/2011



Validity	Pos.	Code	Description	Q
	1	3083210	Plug	3
	2	3081730	Plug	1
	3	3083220	Head	1
	4	3081760	Washer	4
	5	3081750	Washer	4
	6	3081740	Screw	4
	7	3083230	Pump body	1
	8	3440560	TSS kit	1
	9	3440570	Piston + seals kit	1
	10	3081290	Valves + seals kit	1
	11	3440610	Detergent suction kit	1
	12	3440620	Suction kit	1



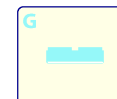
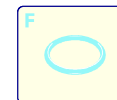
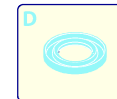
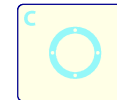
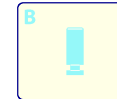
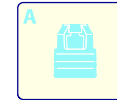
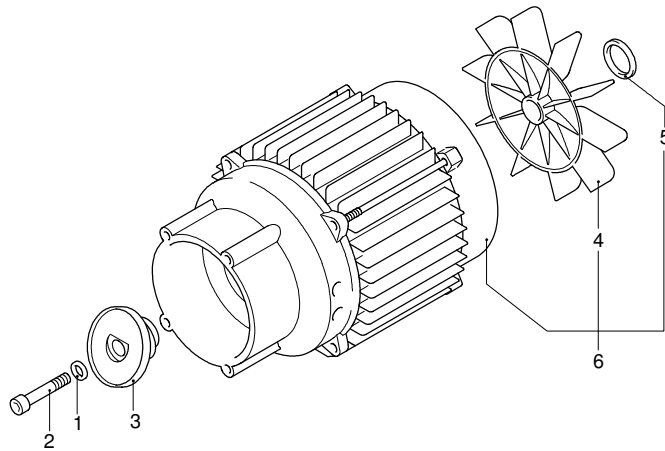
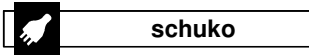
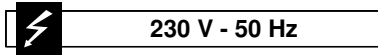
24/01/2011

Model MPX 150 L

Version: **MPX 150 L (11)**

Serial number:

Code: **13068**



Validity	Pos.	Code	Description	Q
	1	3081750	Washer	1
	2	3081950	Screw	1
	3	3440950	Wobble plate	1
	4	3440370	Fan	1
	5	3441000	Ring	1
	6	3441180	Motor	1



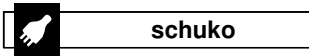
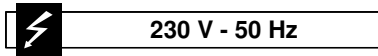
Model MPX 150 L

Version: **MPX 150 L (11)**

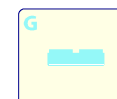
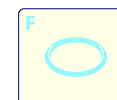
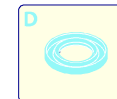
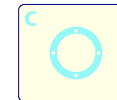
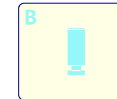
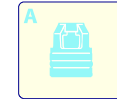
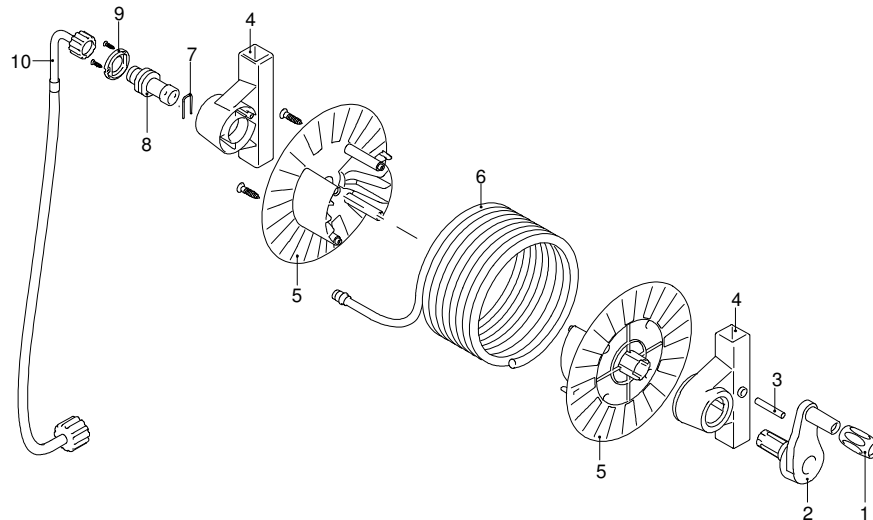
Serial number:

Code: **13068**

24/01/2011



Validity	Pos.	Code	Description	Q
	1	3440830	Knob	1
	2	3440840	Lever	1
	3	3440850	Pin	2
	4	3440860	Support	2
	5	3440870	Plate	2
	6	3441220	High pressure hose	1
	7	3440890	Fork	1
	8	3440900	Fitting	1
	9	3440910	Washer	1
	10	3441100	High pressure hose	1





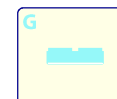
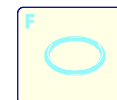
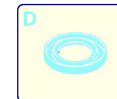
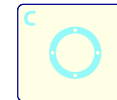
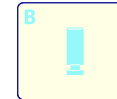
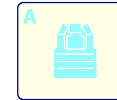
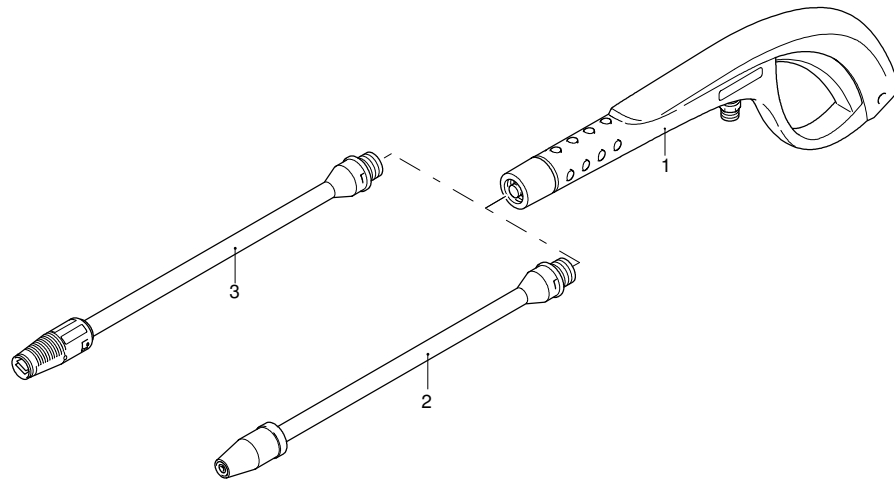
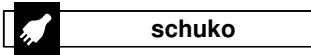
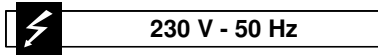
Model MPX 150 L

Version: **MPX 150 L (11)**

Serial number:

Code: **13068**

24/01/2011



Validity	Pos.	Code	Description	Q
	1	3082021	Gun	1
	2	3082120	Lance+rotopower	1
	3	3083070	Lance+lance head	1